

BlockFlex: Enabling Storage Harvesting with Software-Defined Flash in Modern Cloud Platforms

Benjamin Reidys*

Jinghan Sun*

Anirudh Badam[†]

Shadi Noghabi[†]

Jian Huang

*Co-Primary Authors



UNIVERSITY OF
ILLINOIS
URBANA - CHAMPAIGN

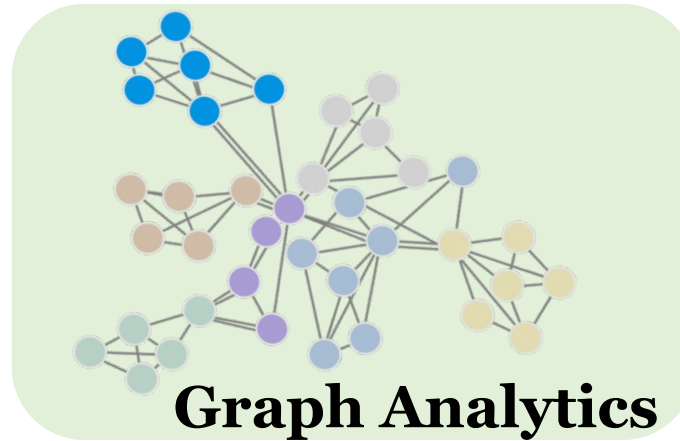


Microsoft

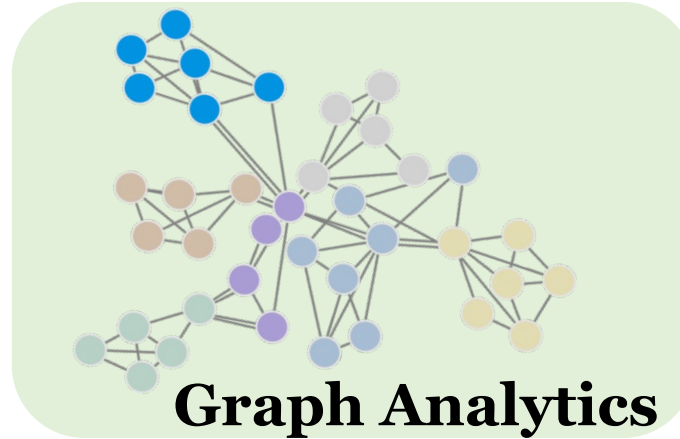
Cloud Storage: A Core Service in Data Centers Today



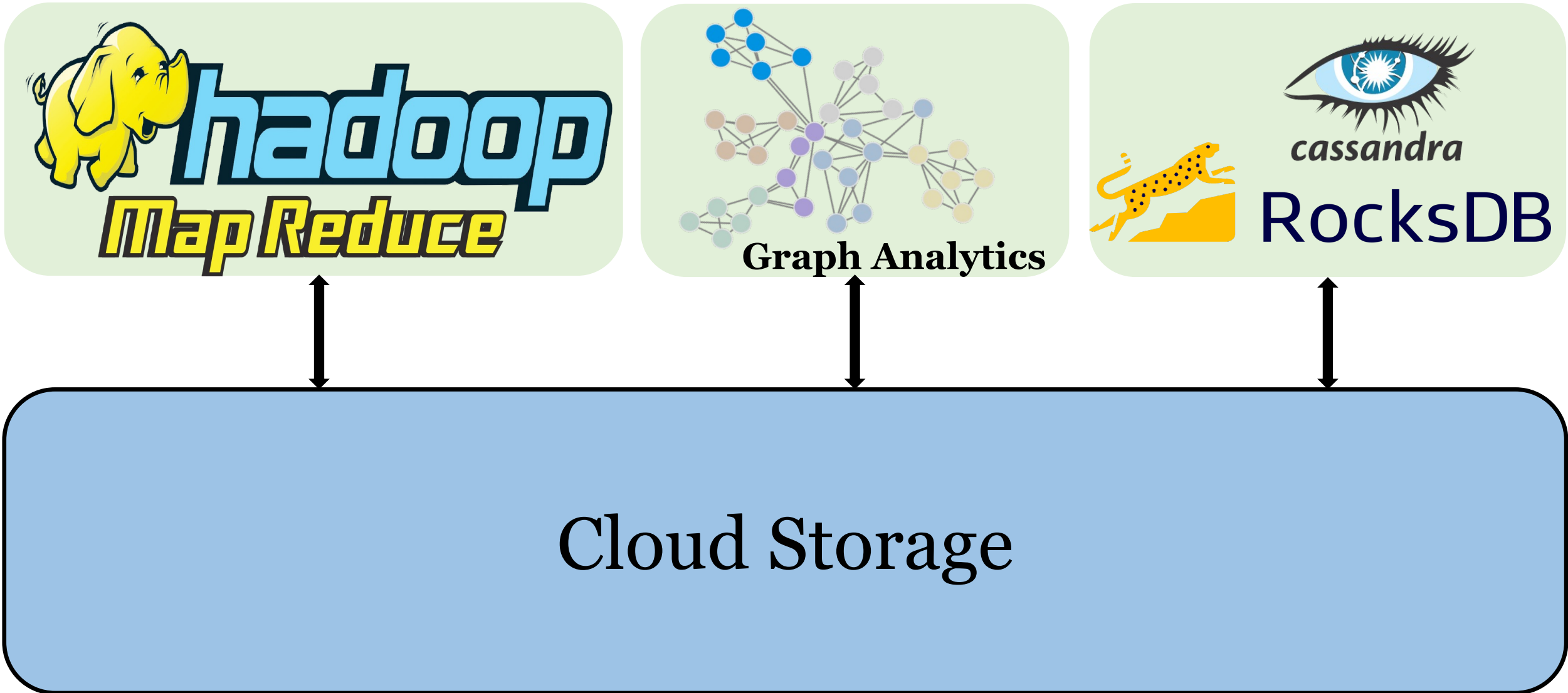
Cloud Storage: A Core Service in Data Centers Today



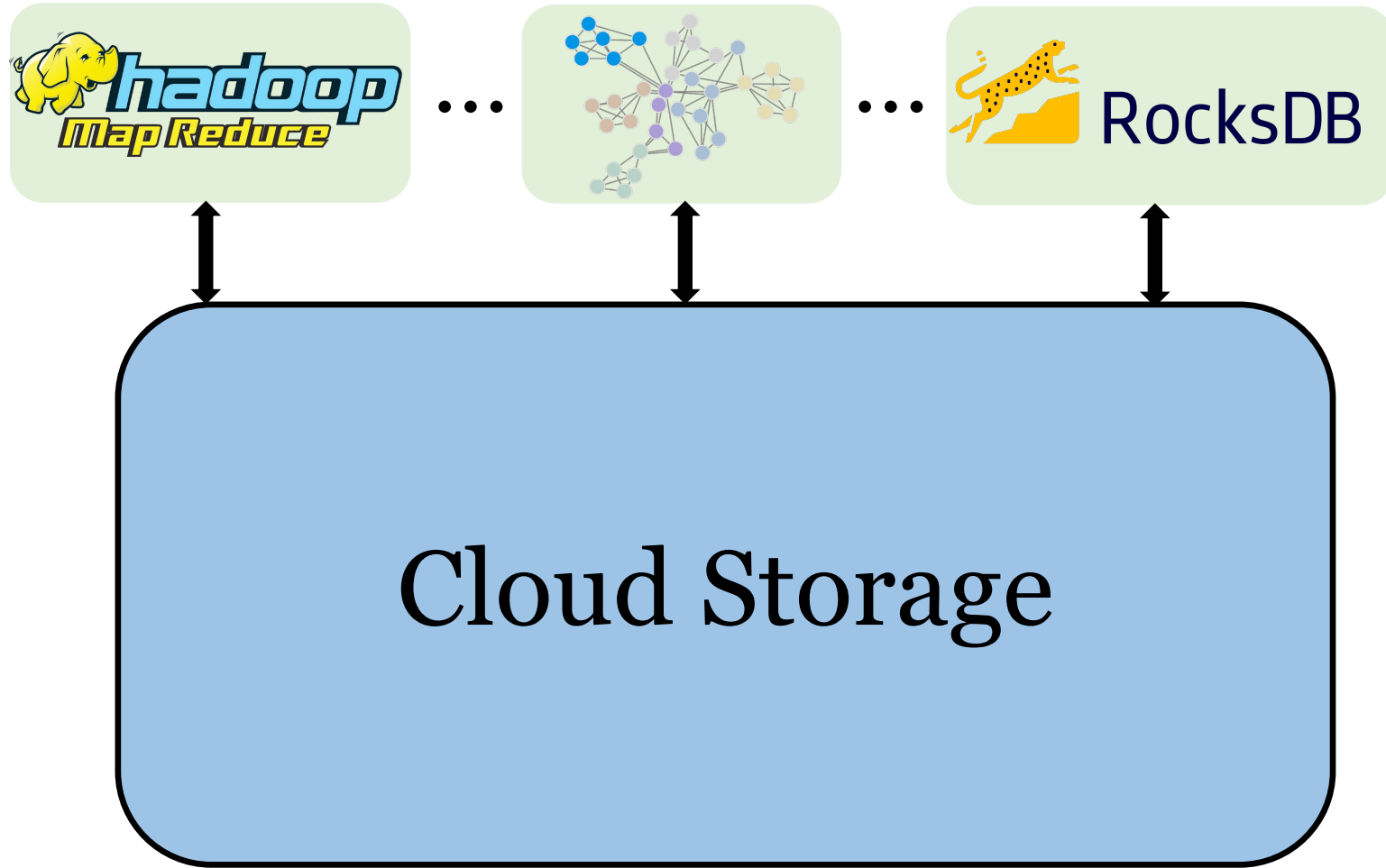
Cloud Storage: A Core Service in Data Centers Today



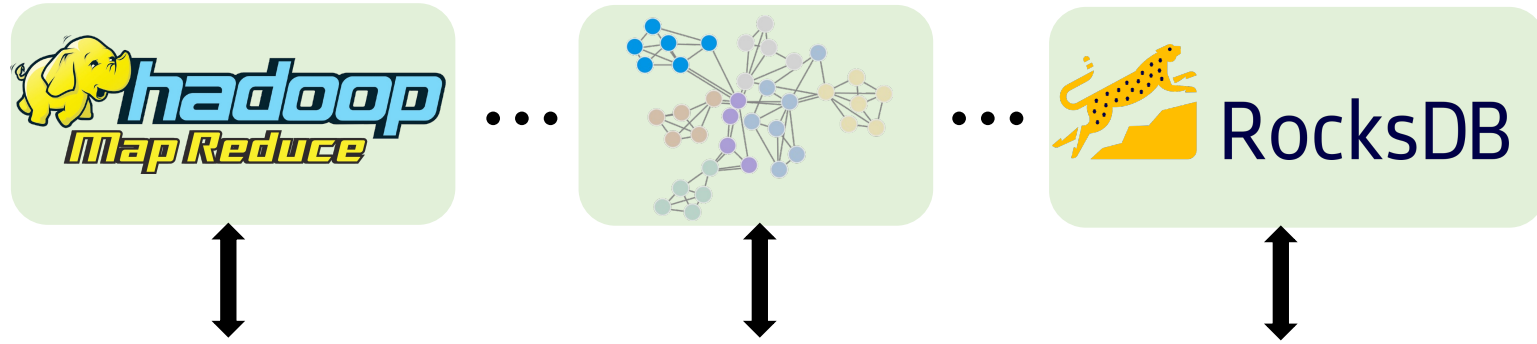
Cloud Storage: A Core Service in Data Centers Today



Storage Virtualization: The Backbone for Cloud Services

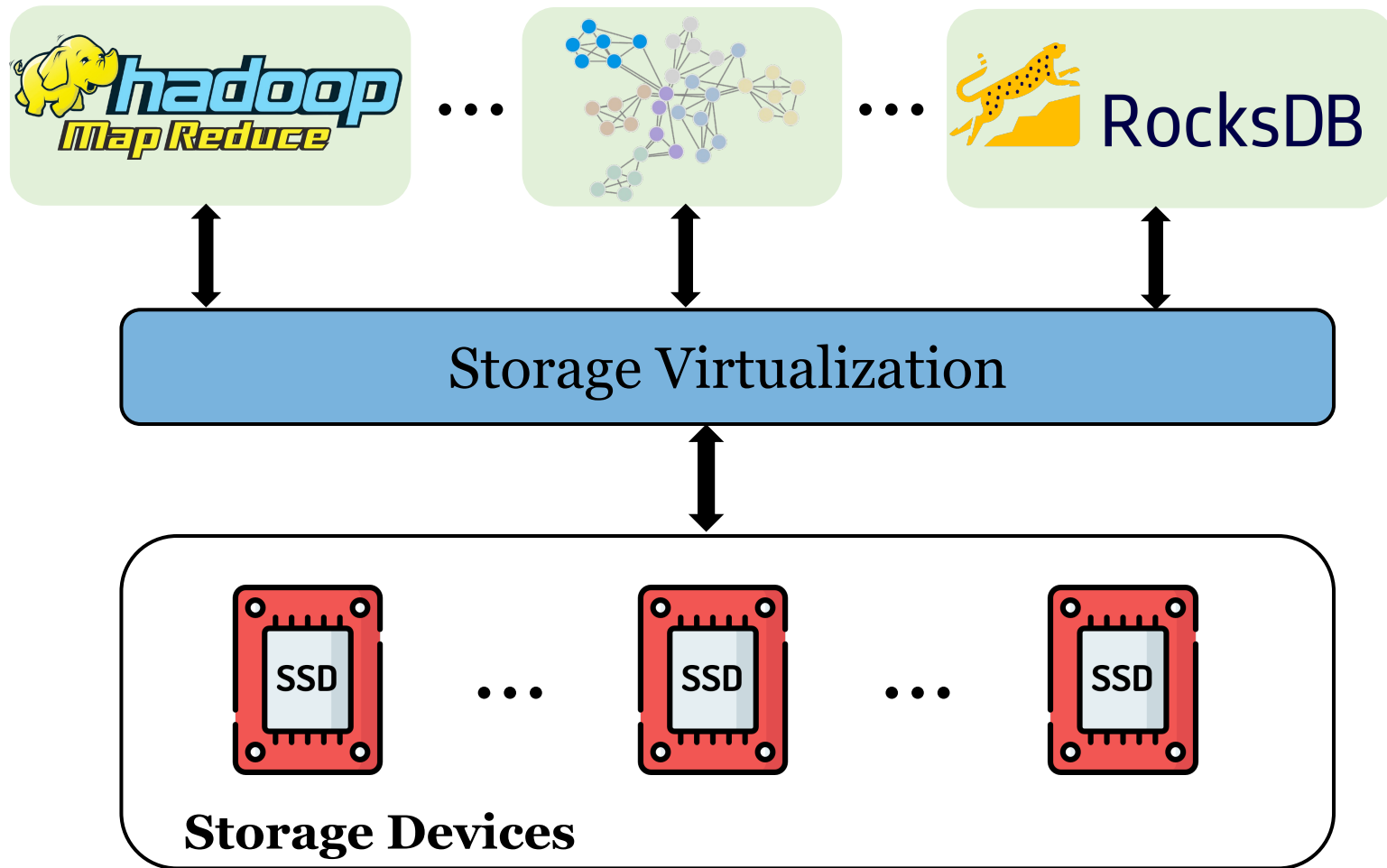


Storage Virtualization: The Backbone for Cloud Services

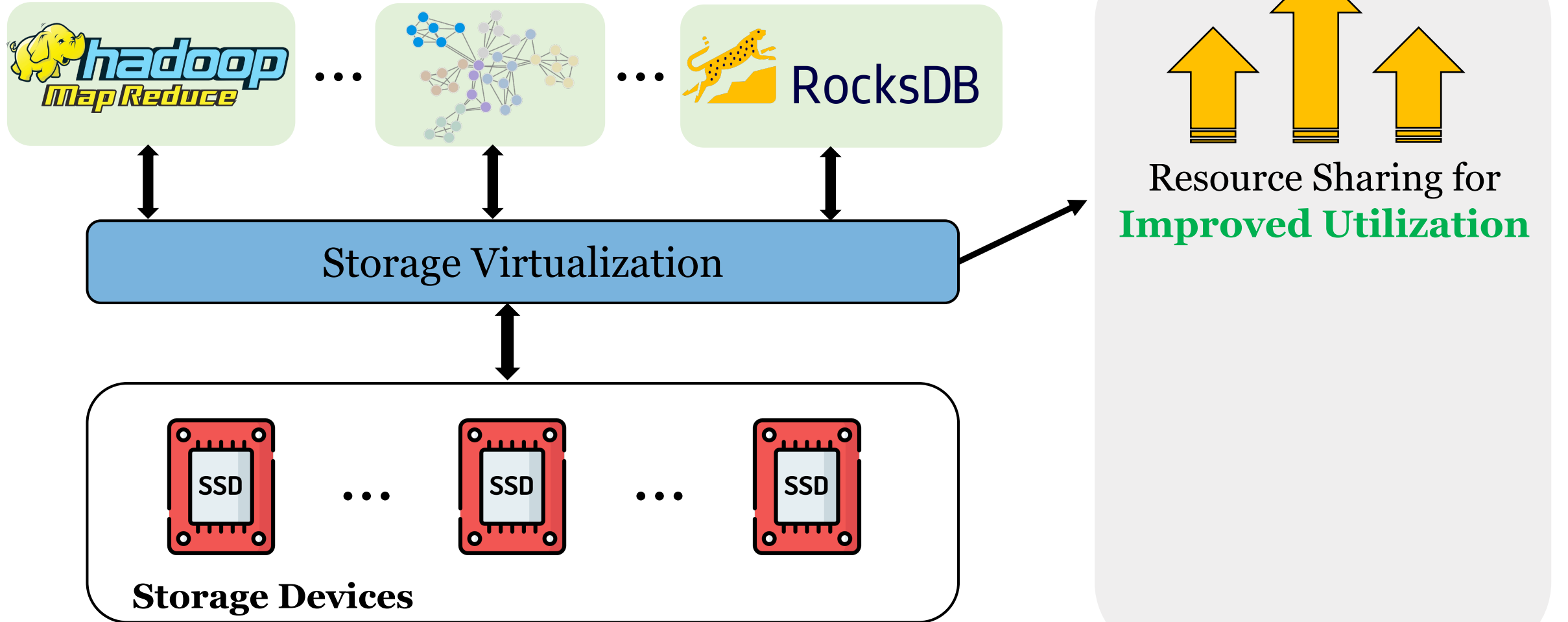


Storage Devices

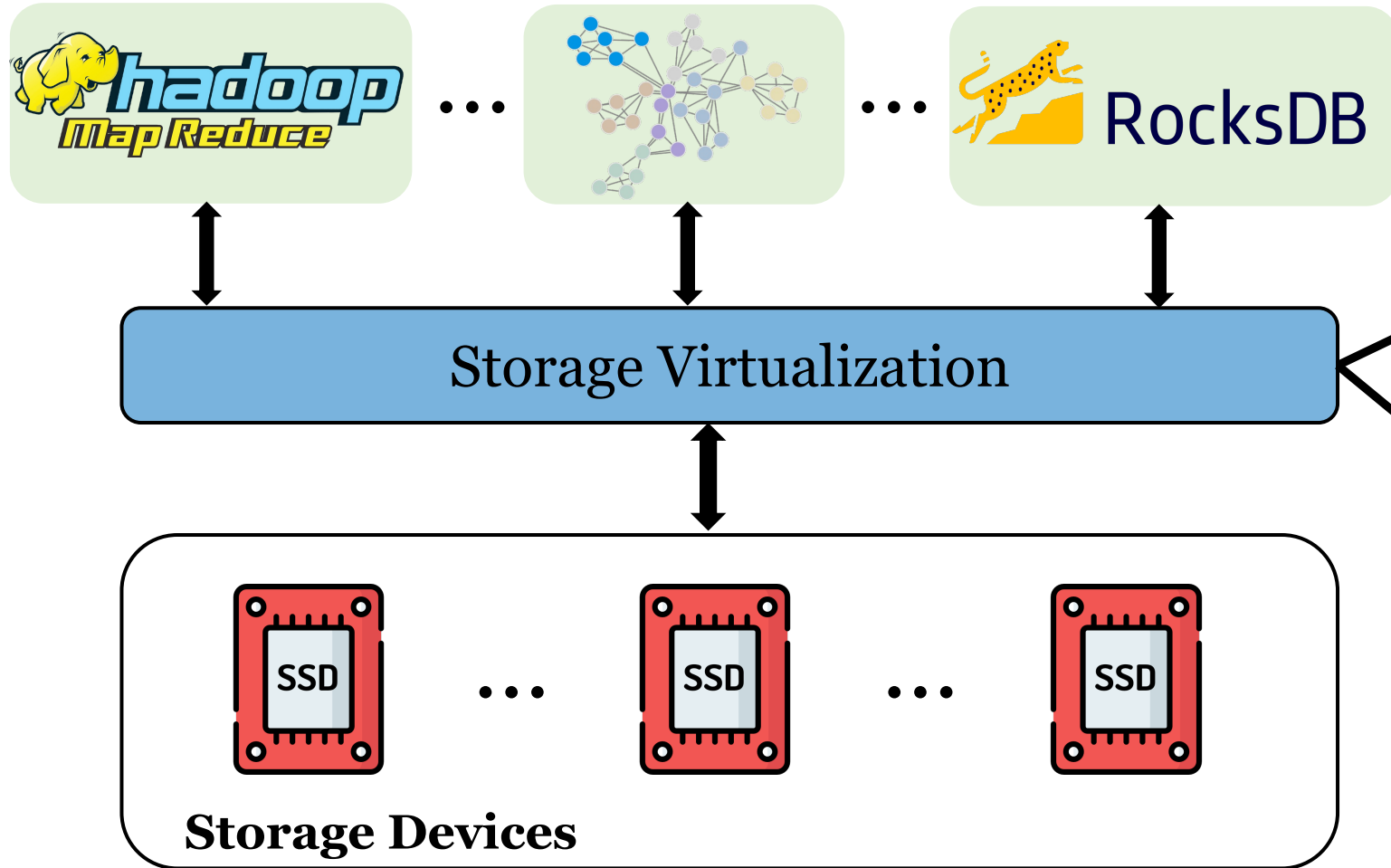
Storage Virtualization: The Backbone for Cloud Services



Storage Virtualization: The Backbone for Cloud Services



Storage Virtualization: The Backbone for Cloud Services



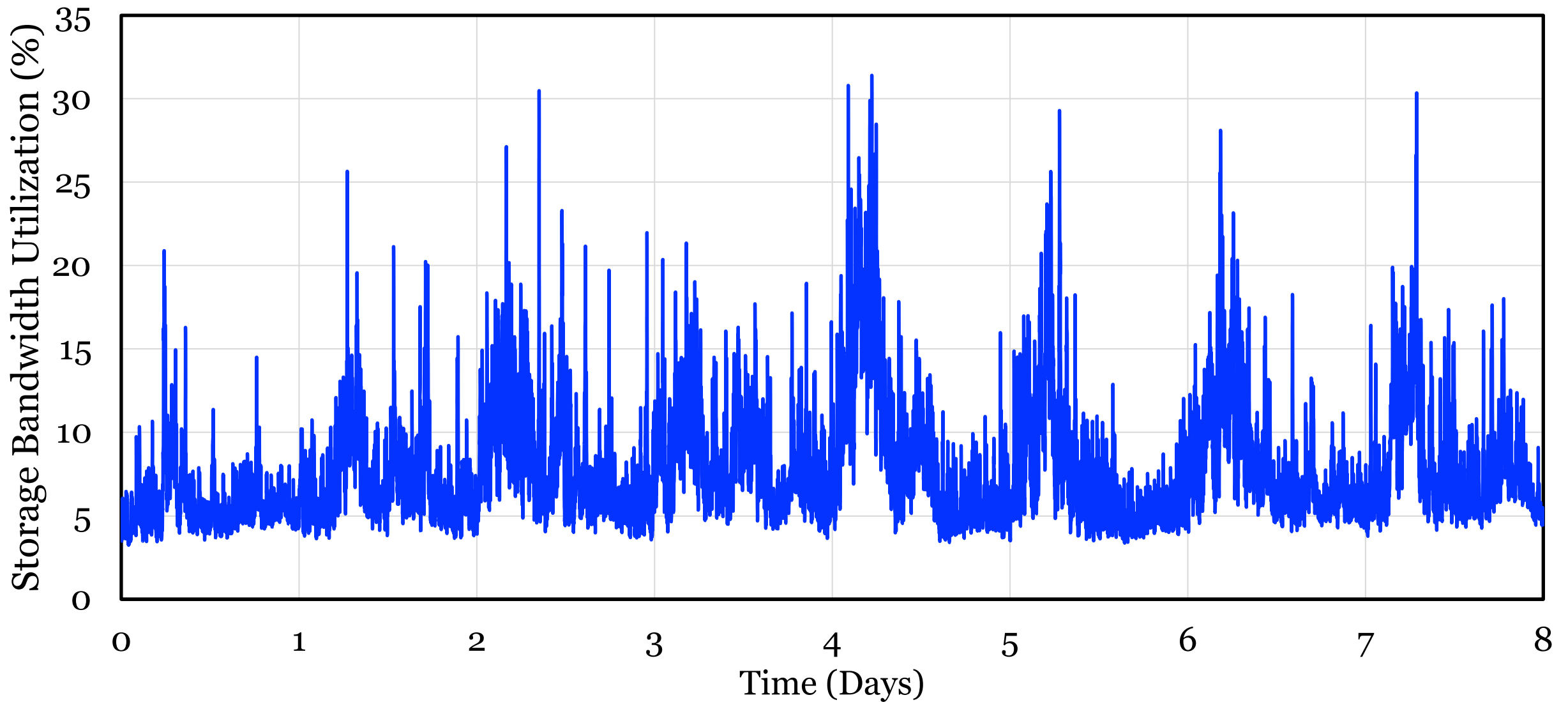
Resource Sharing for **Improved Utilization**

😊

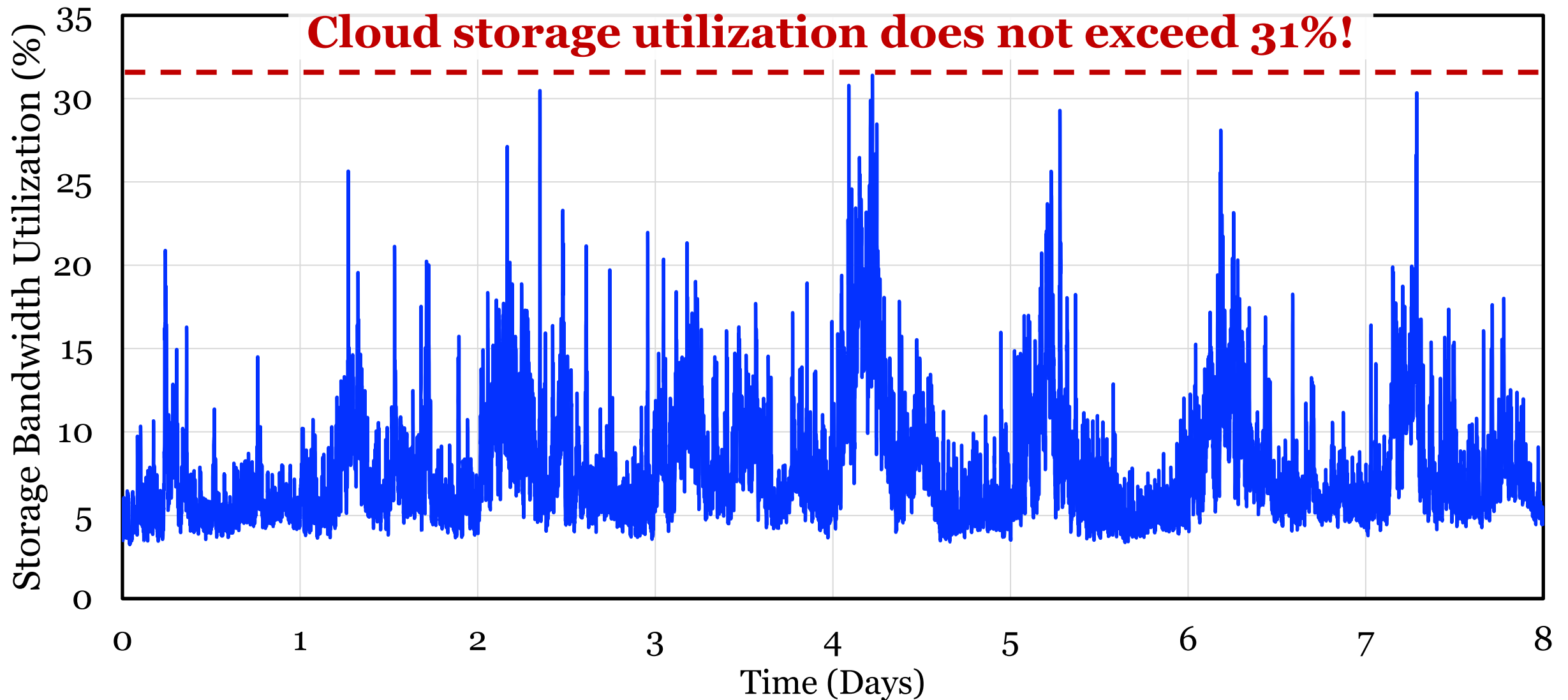
Storage Complexity is Hidden from the User

Cloud Storage is Severely Underutilized

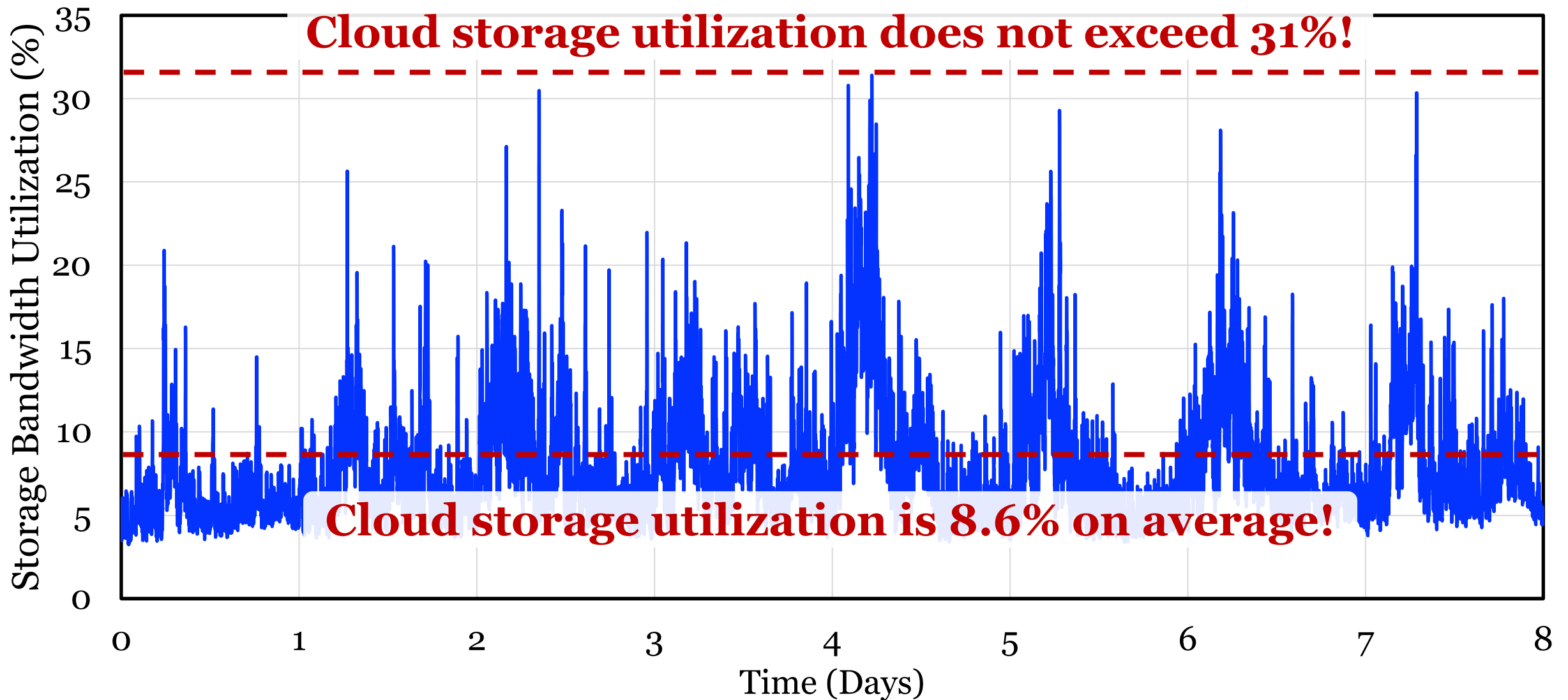
Cloud Storage is Severely Underutilized



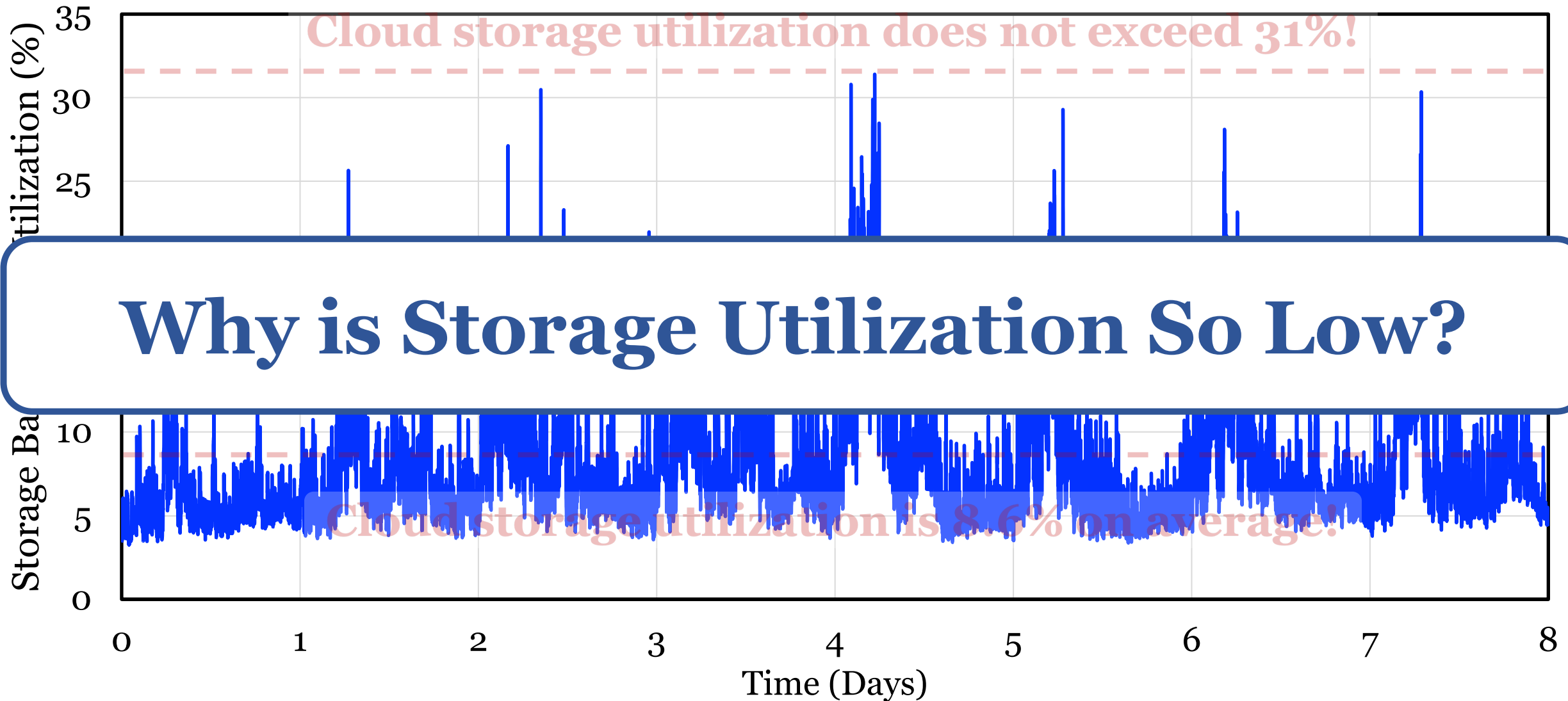
Cloud Storage is Severely Underutilized



Cloud Storage is Severely Underutilized

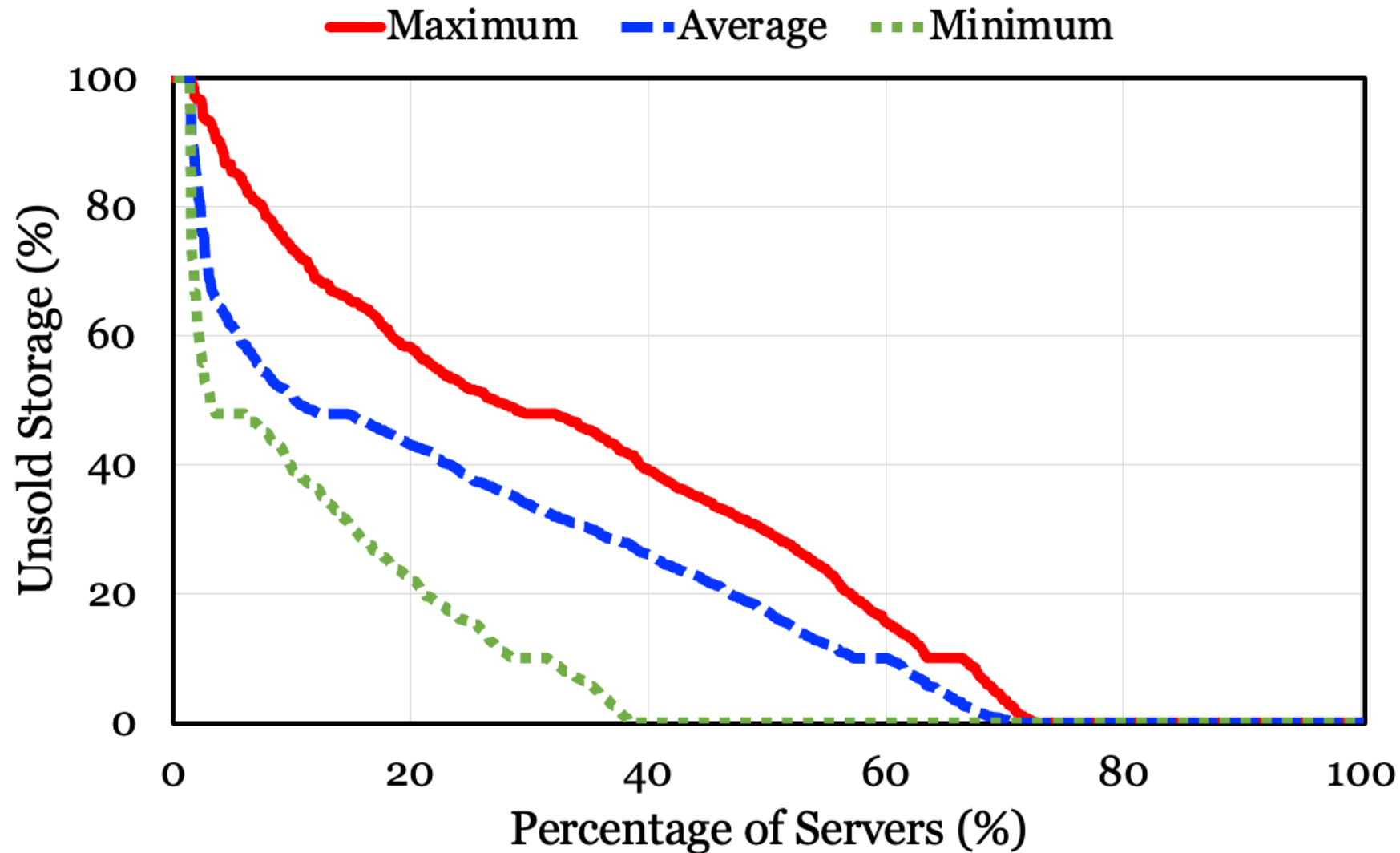


Cloud Storage is Severely Underutilized

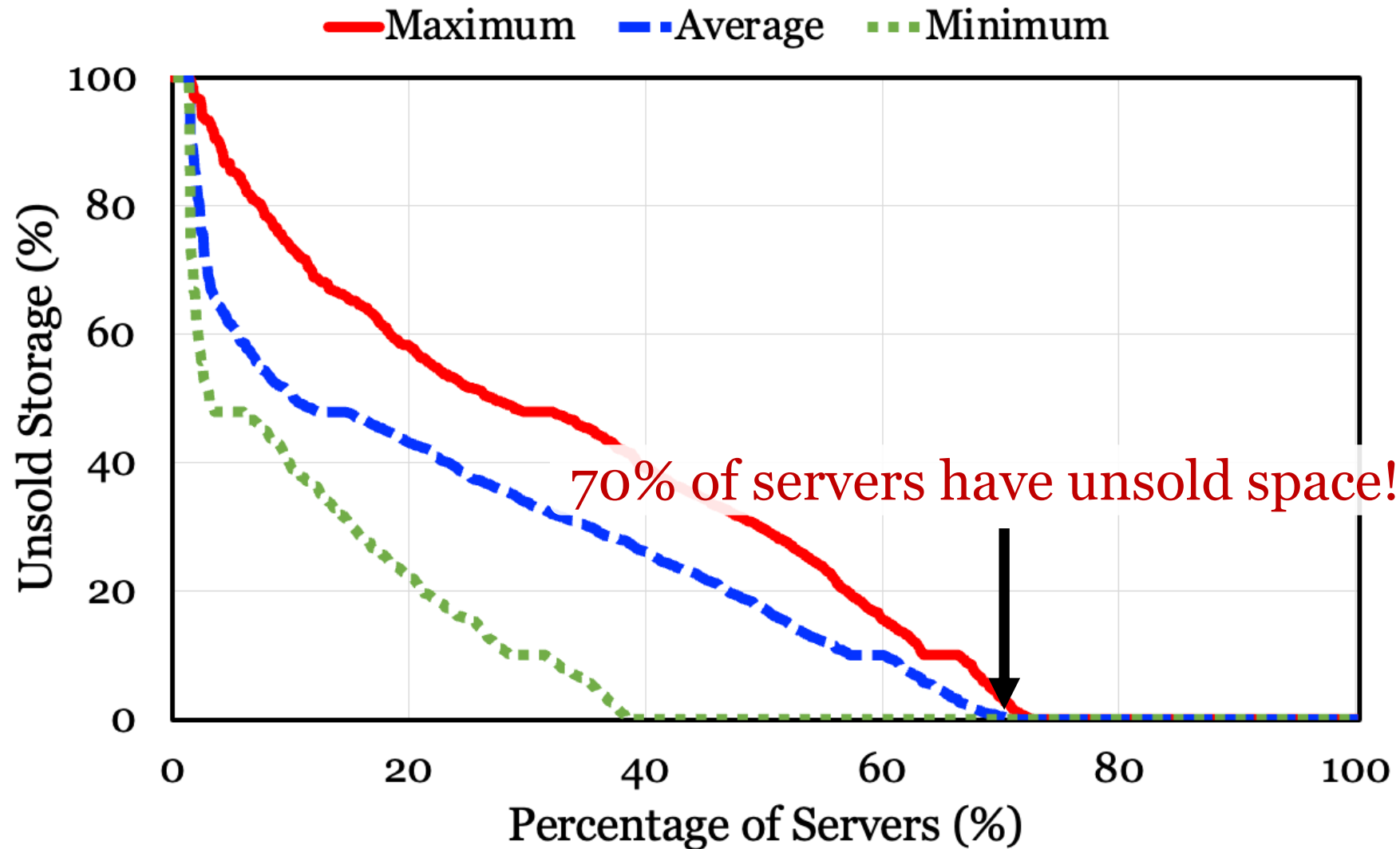


Why is Storage Utilization So Low?

Cause 1: Low Utilization from Unallocated Storage

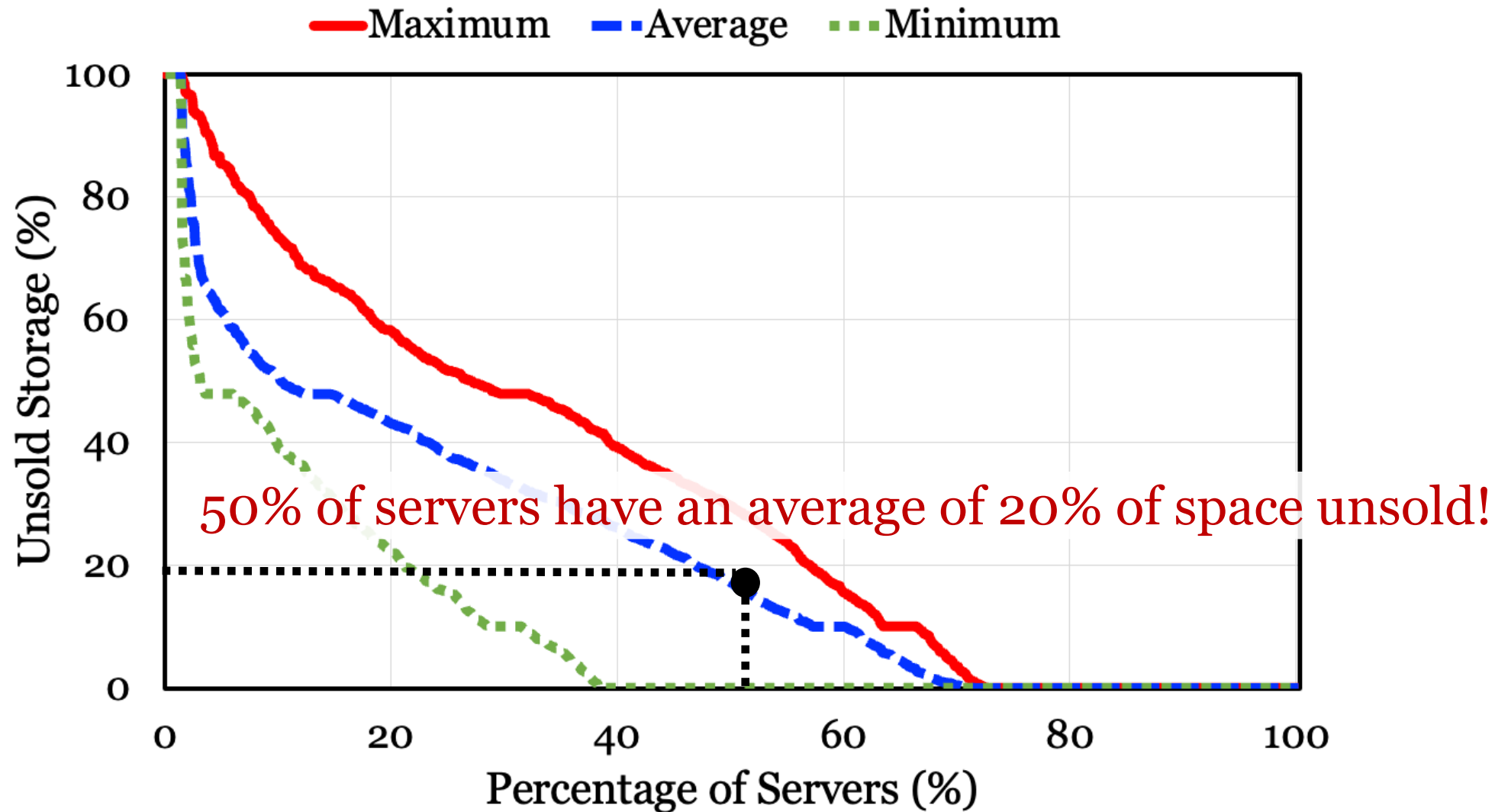


Cause 1: Low Utilization from Unallocated Storage

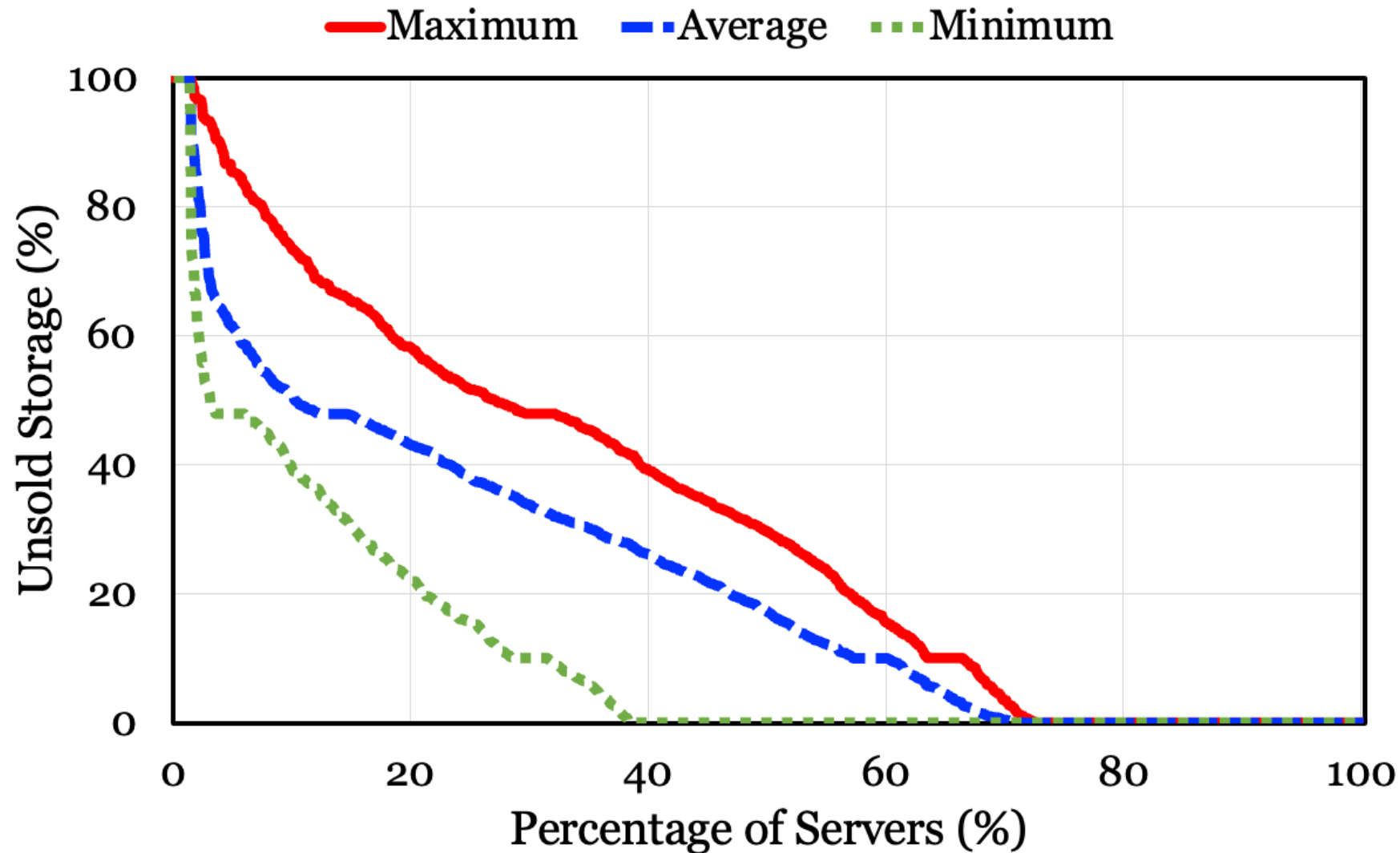


70% of servers have unsold space!

Cause 1: Low Utilization from Unallocated Storage

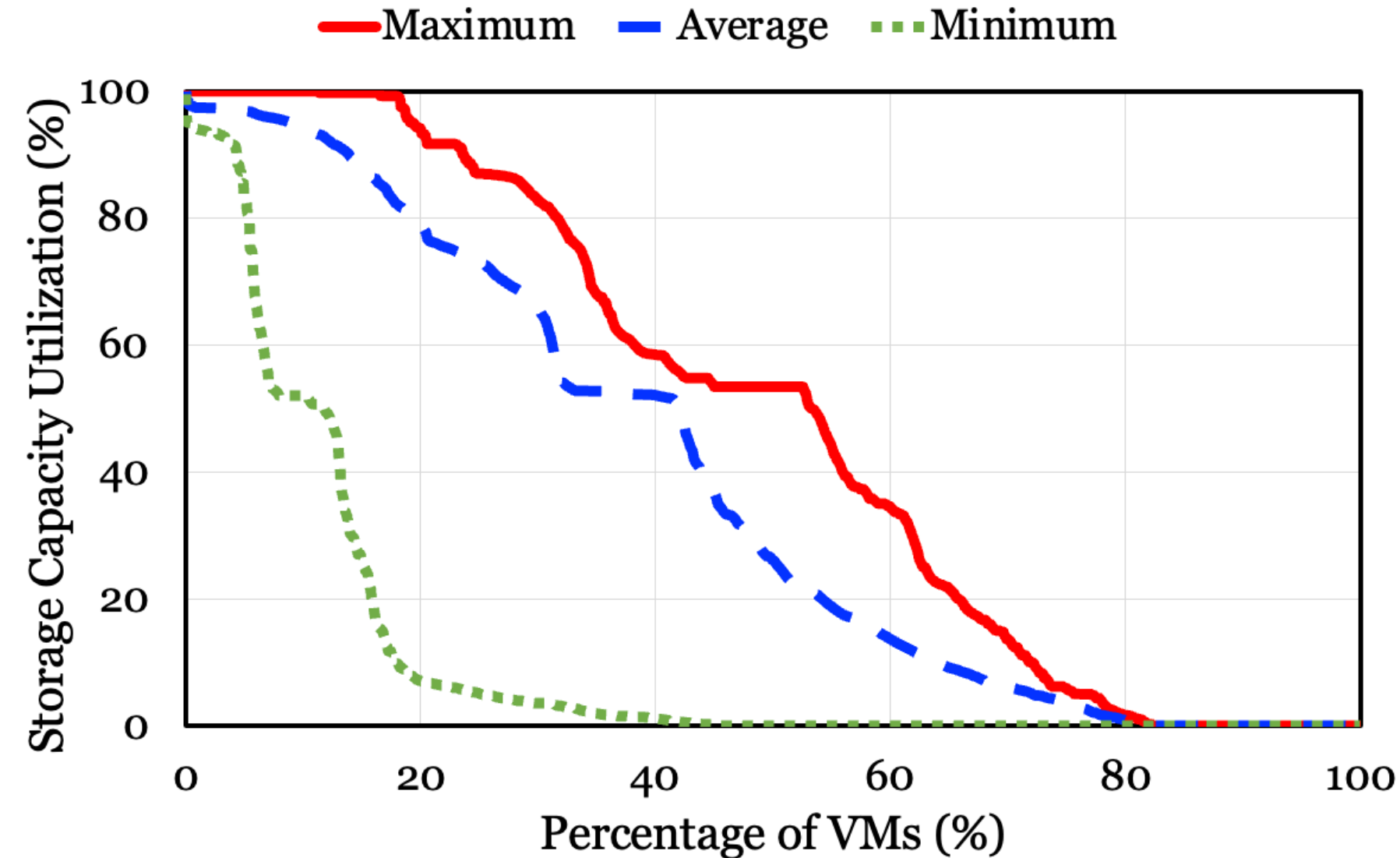


Cause 1: Low Utilization from Unallocated Storage

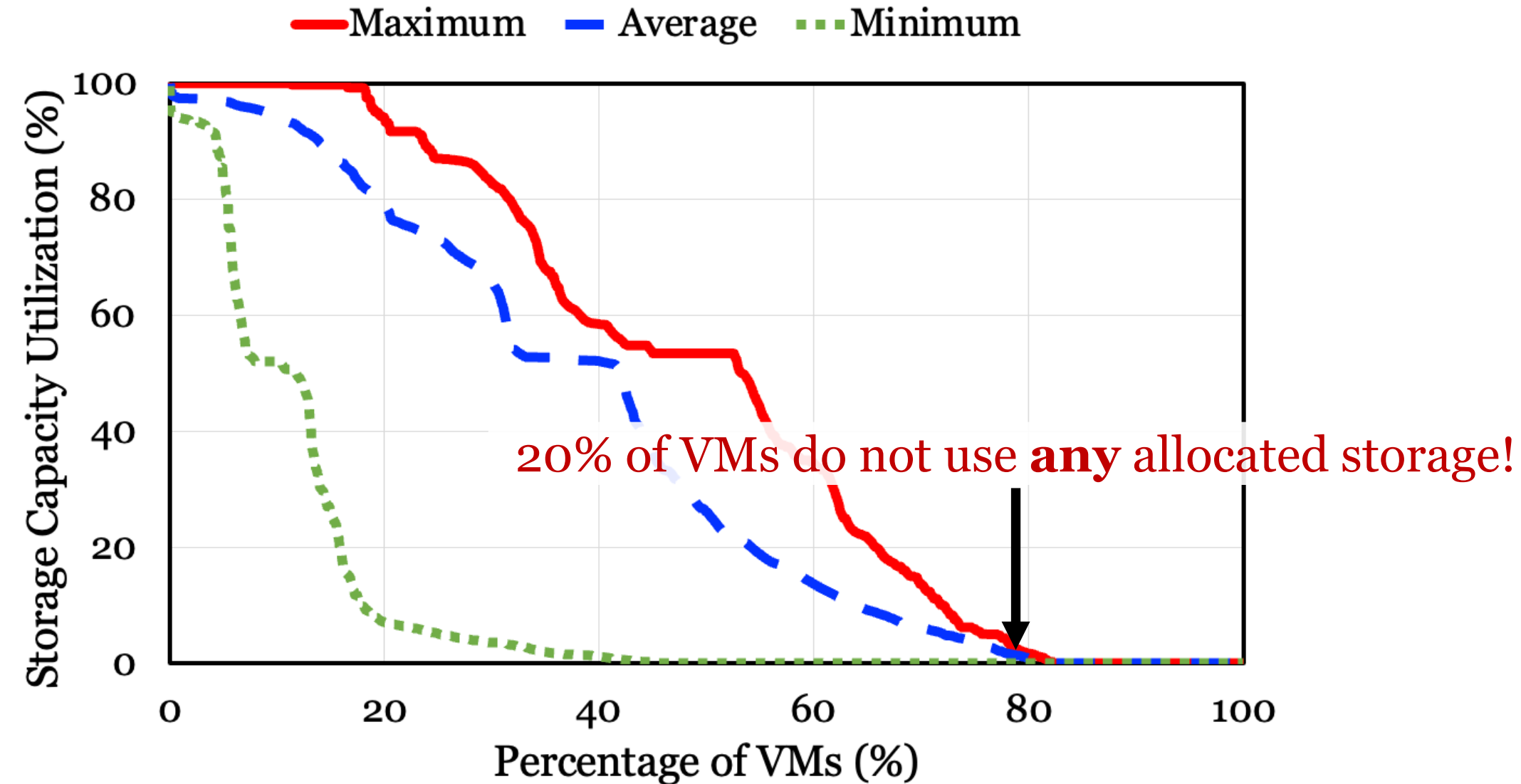


Overprovisioned Resources for VM Allocations!

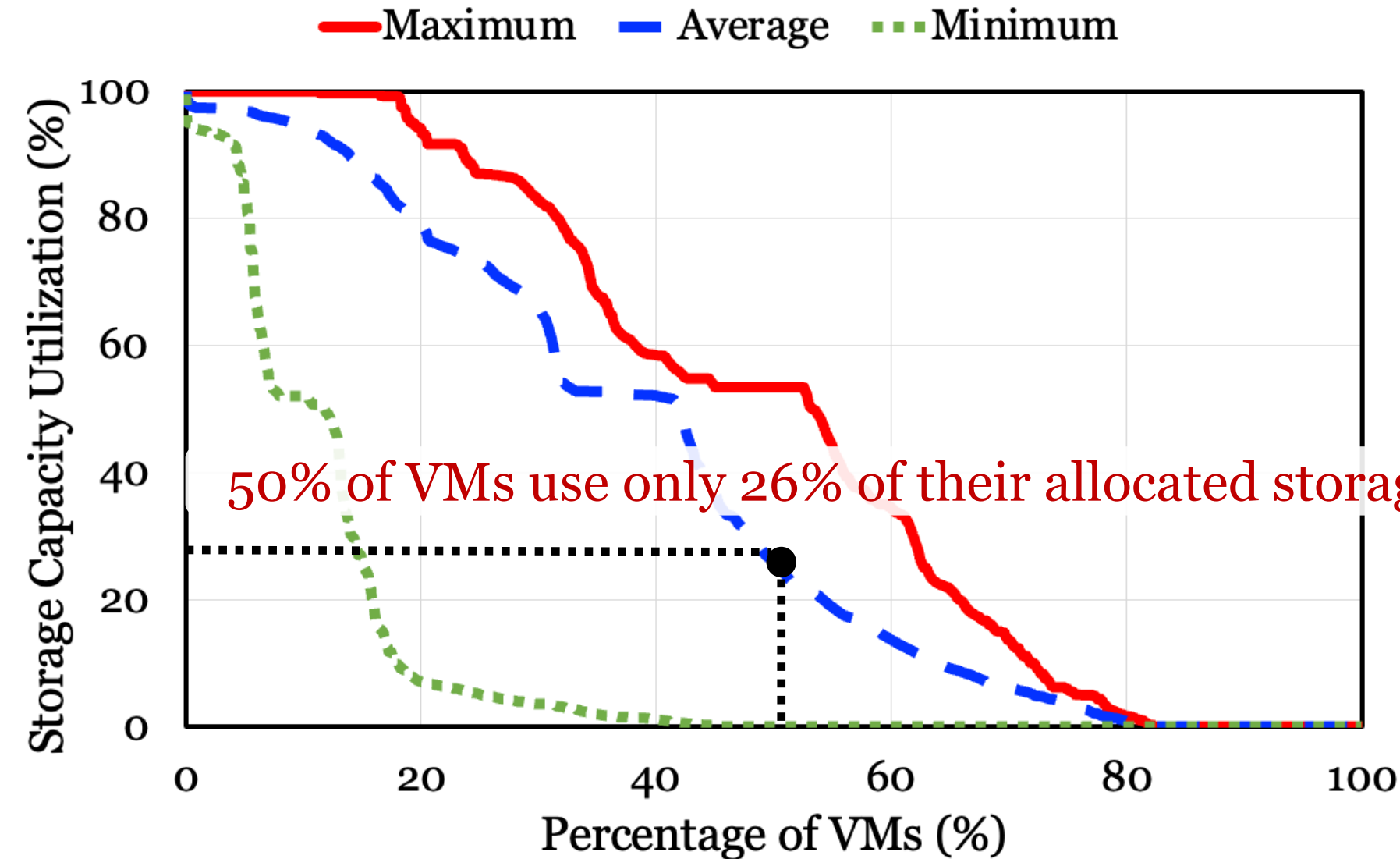
Cause 2: Low Utilization from Allocated Storage



Cause 2: Low Utilization from Allocated Storage

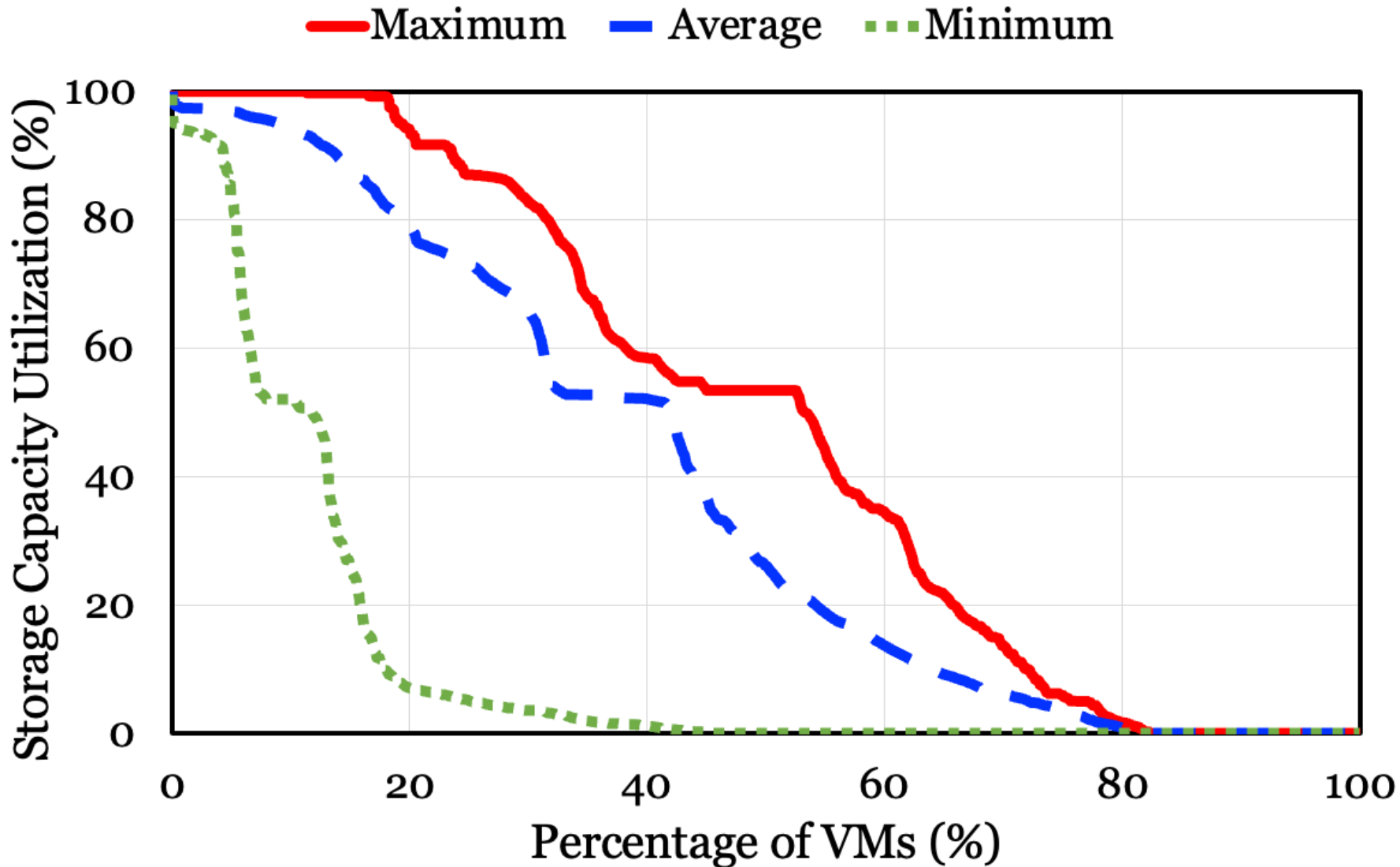


Cause 2: Low Utilization from Allocated Storage



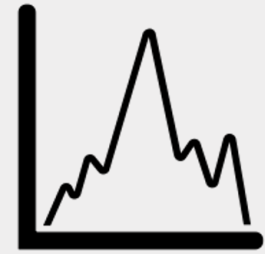
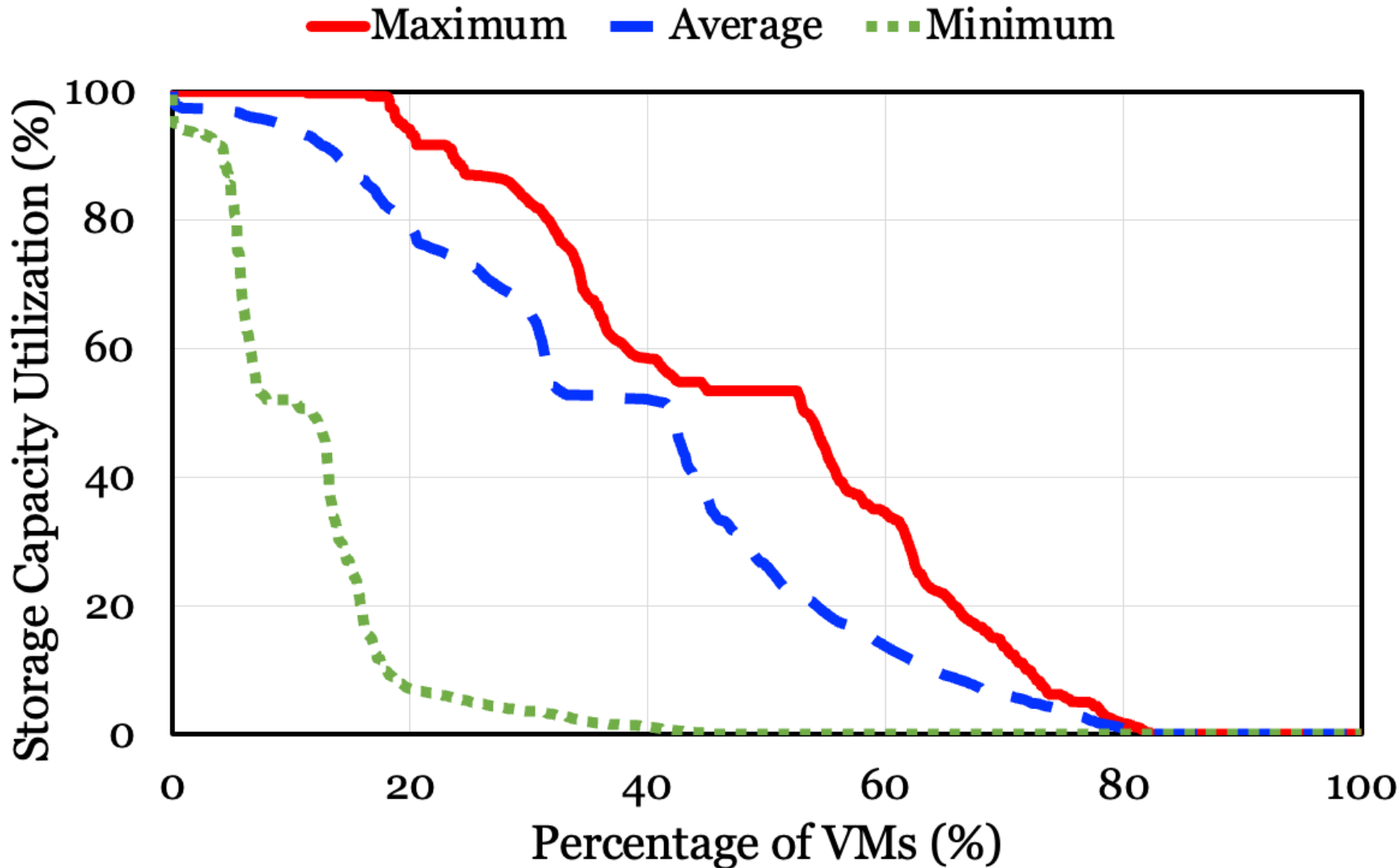
50% of VMs use only 26% of their allocated storage on average!

Cause 2: Low Utilization from Allocated Storage

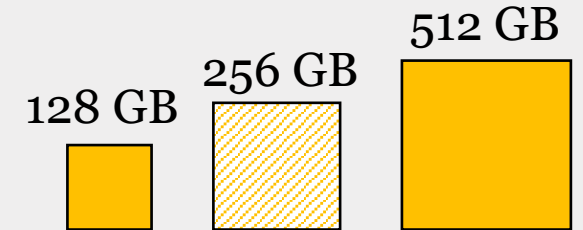


Users may **Provision for Bursts** in Workloads

Cause 2: Low Utilization from Allocated Storage

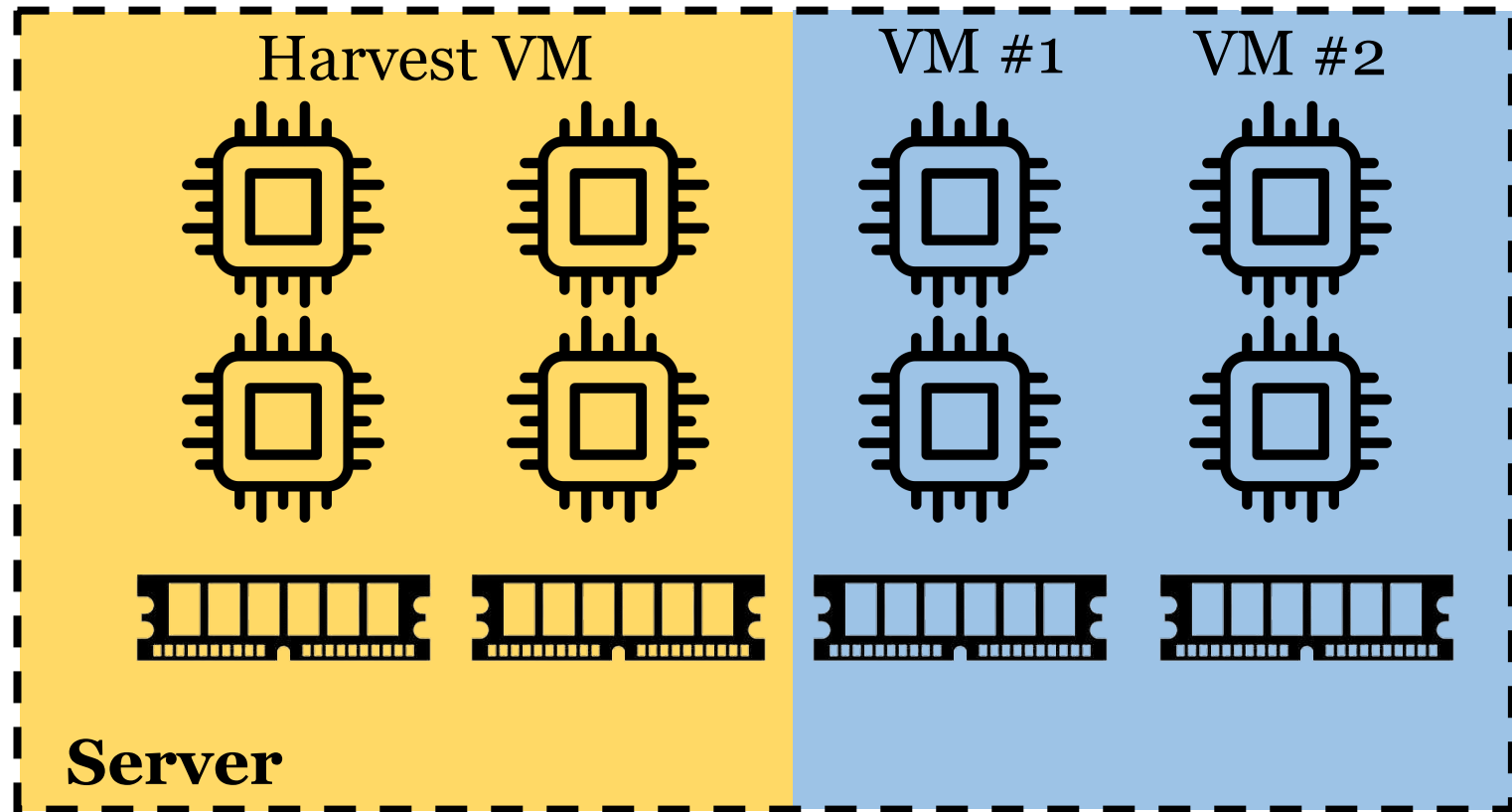


Users may **Provision for Bursts** in Workloads



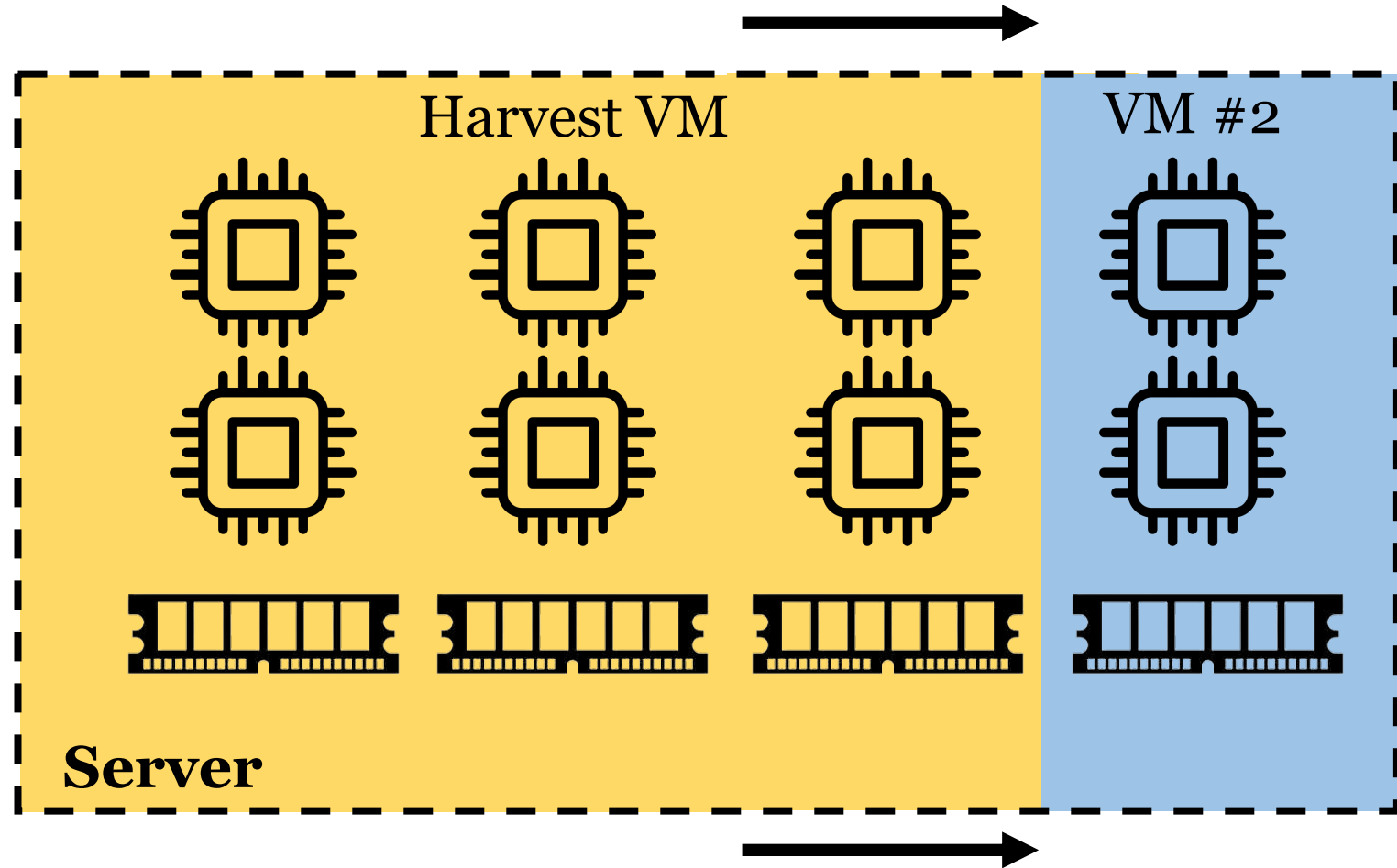
Limited Capacity Options
for VM Storage Allocations

Harvest VMs: Promising for Improved Resource Utilization



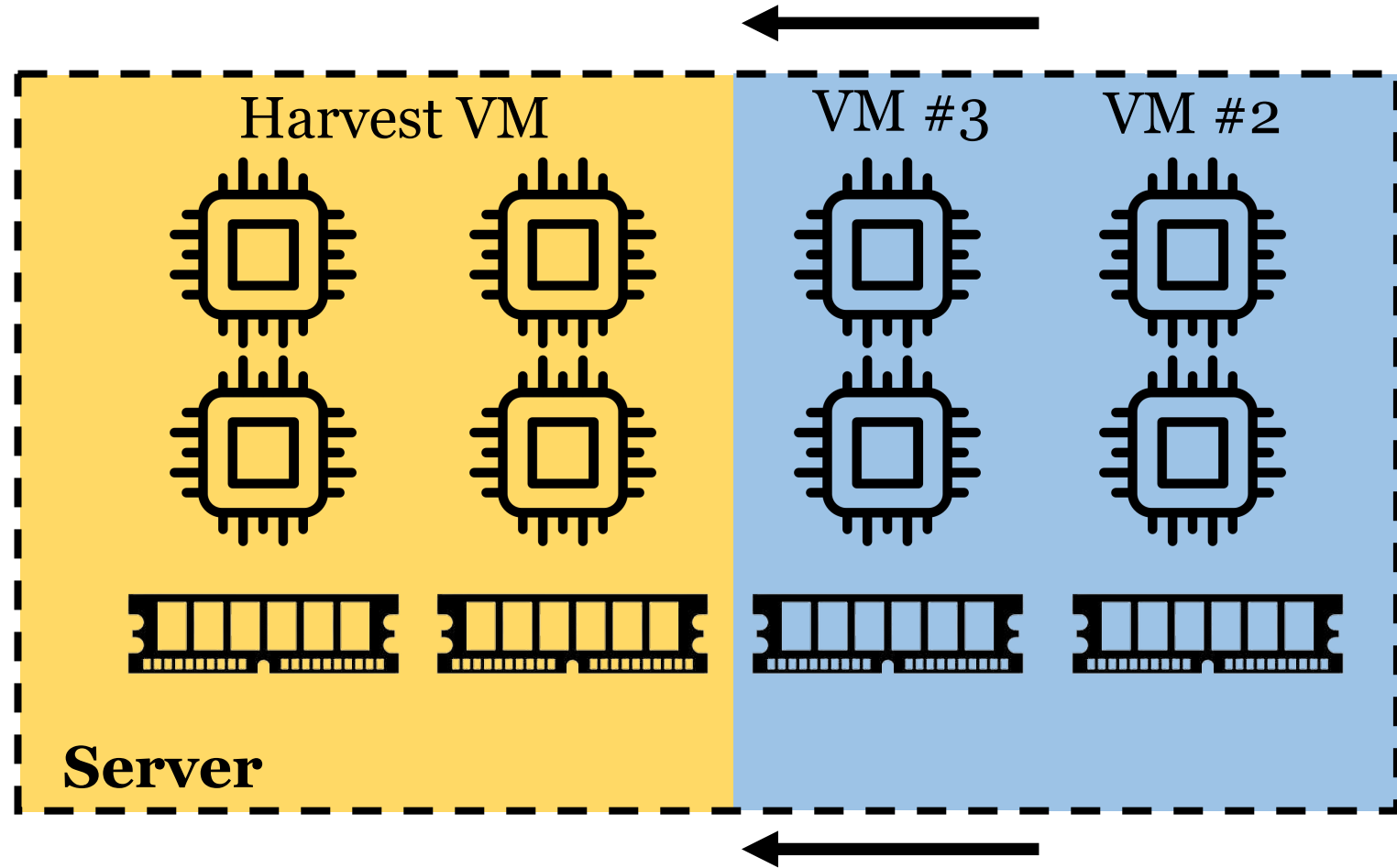
Harvest VMs: Promising for Improved Resource Utilization

Harvest VMs **grow** to **utilize** available resources!

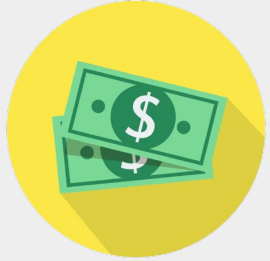


Harvest VMs: Promising for Improved Resource Utilization

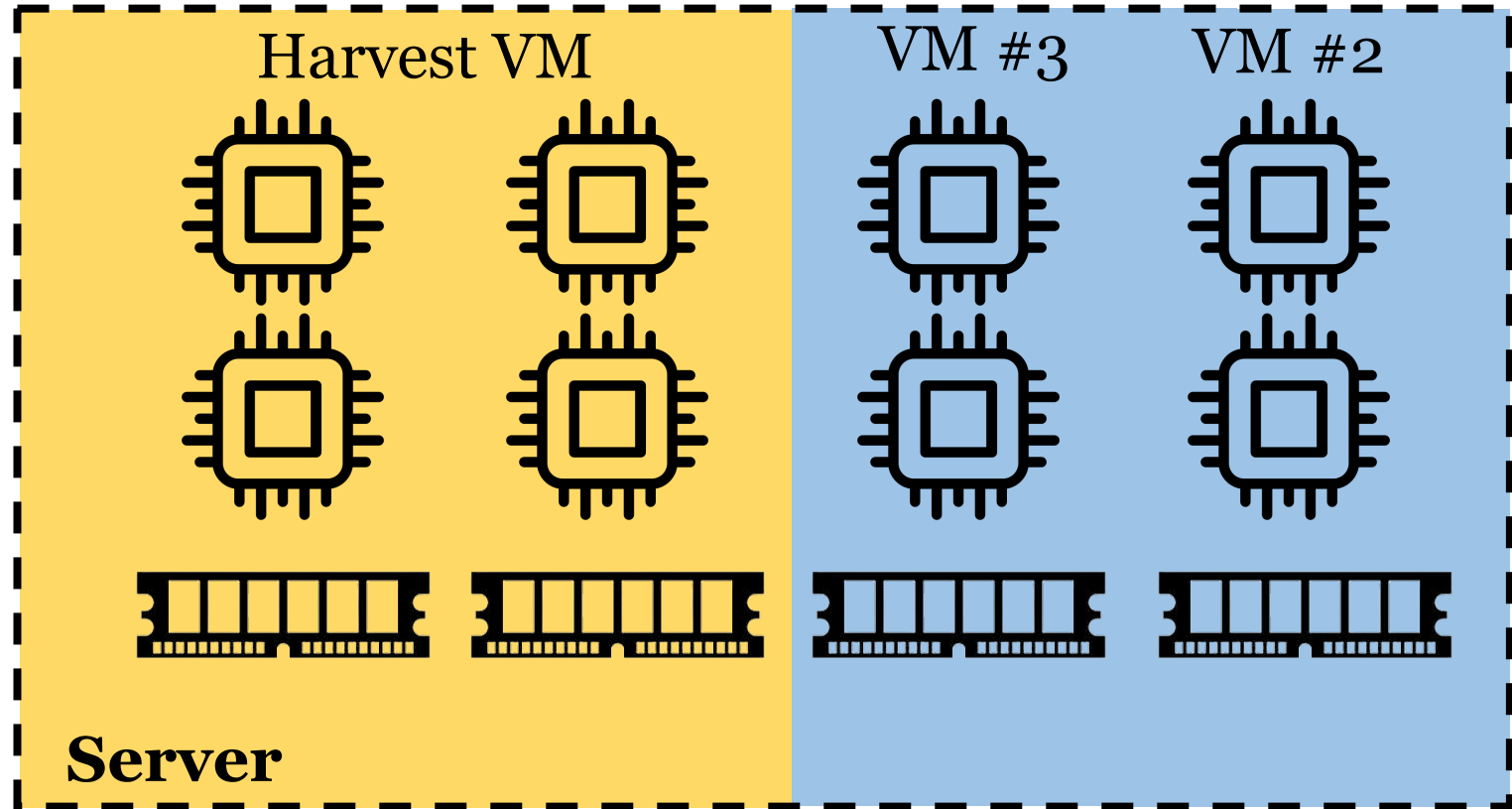
Harvest VMs **shrink** to **avoid eviction** by regular VMs!



Harvest VMs: Promising for Improved Resource Utilization



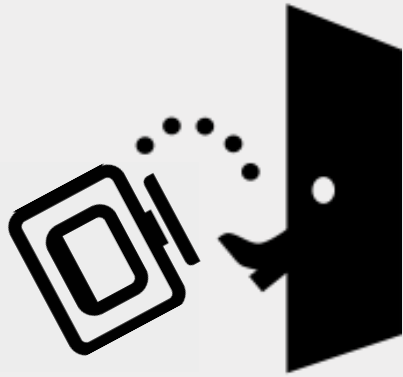
Lower Cost



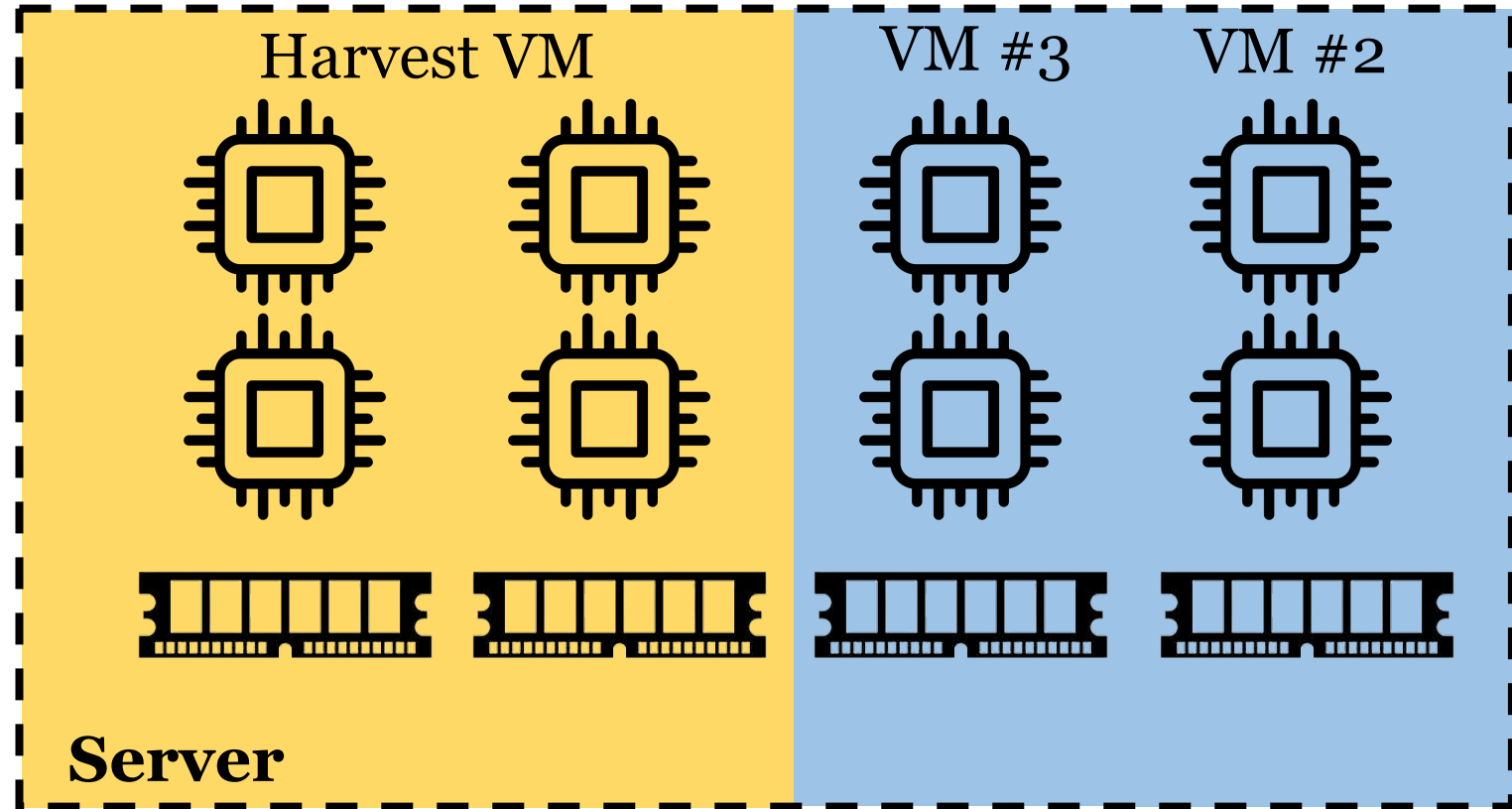
Harvest VMs: Promising for Improved Resource Utilization



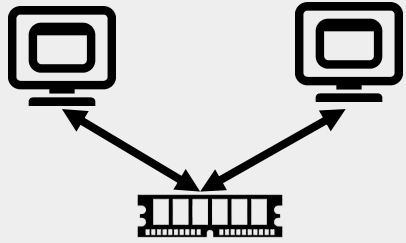
Lower Cost



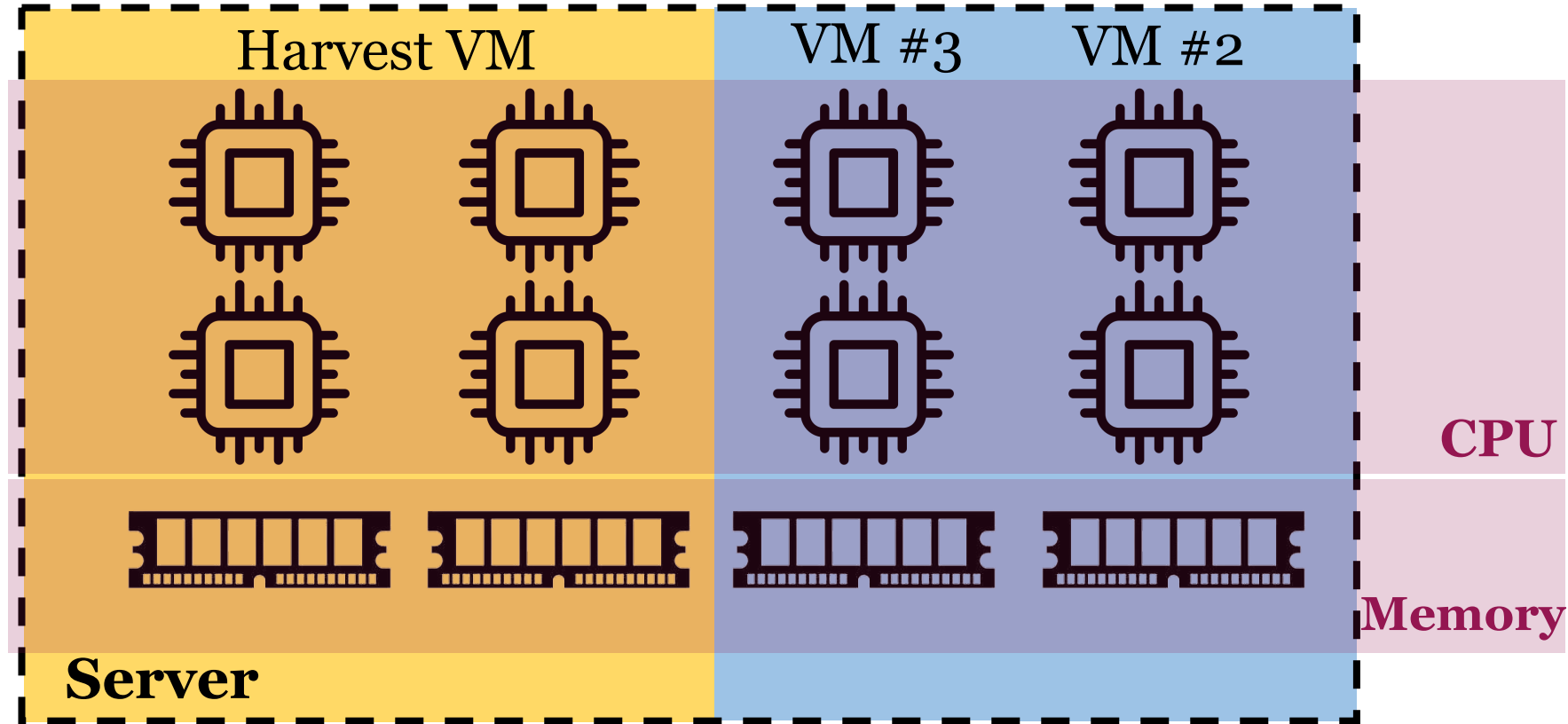
May be Evicted for a
Regular VM



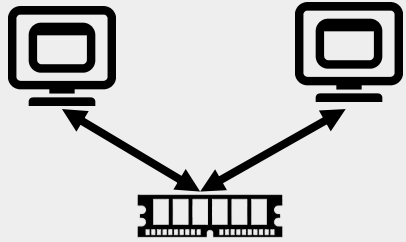
Harvest VMs: Promising for Improved Resource Utilization



**Mature Virtualization
Support for CPU/Mem**



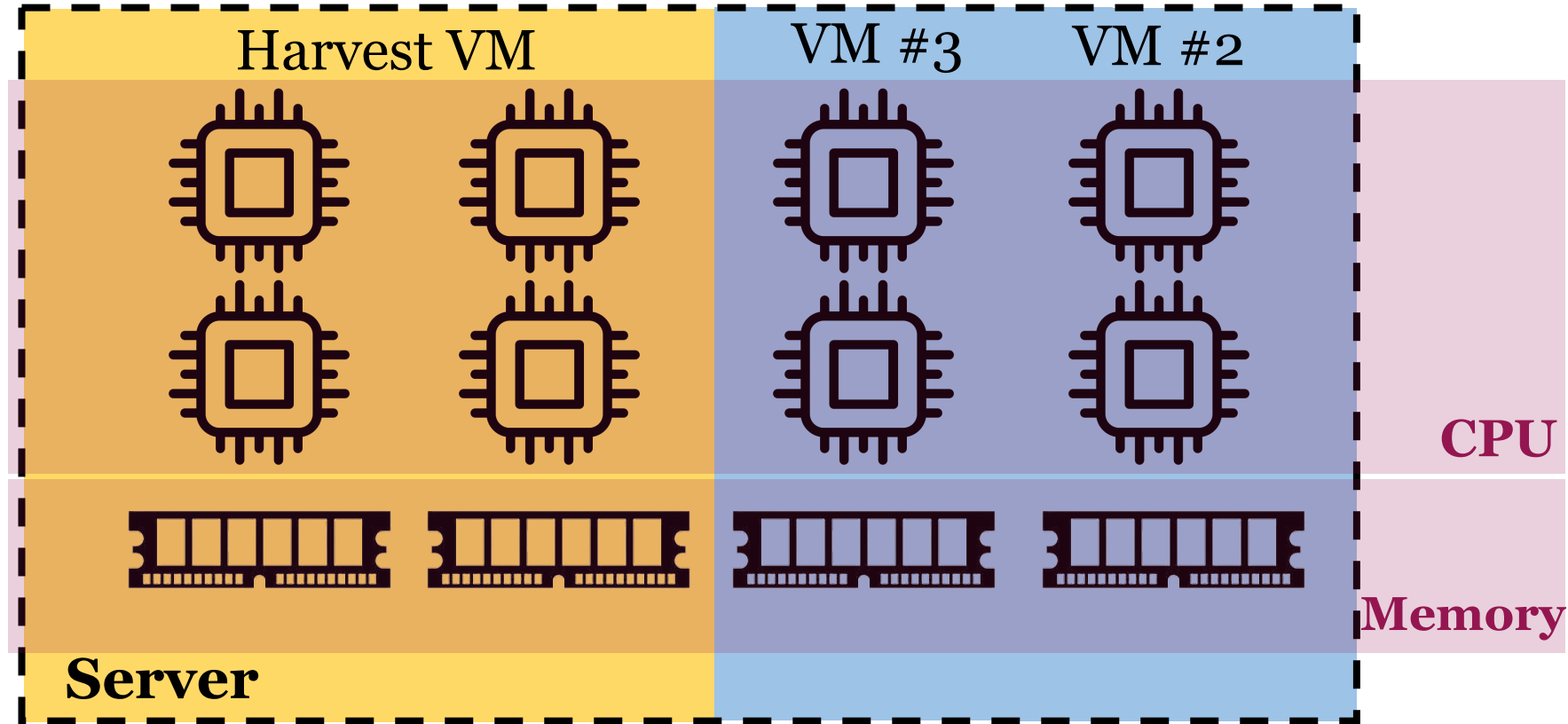
Harvest VMs: Promising for Improved Resource Utilization



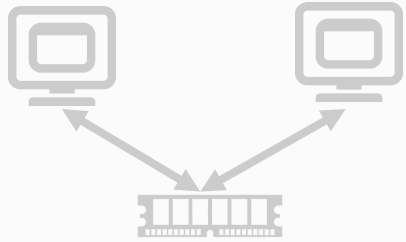
**Mature Virtualization
Support for CPU/Mem**



**Low Overhead for
Resource Scheduling**



Harvest VMs: Promising for Improved Resource Utilization

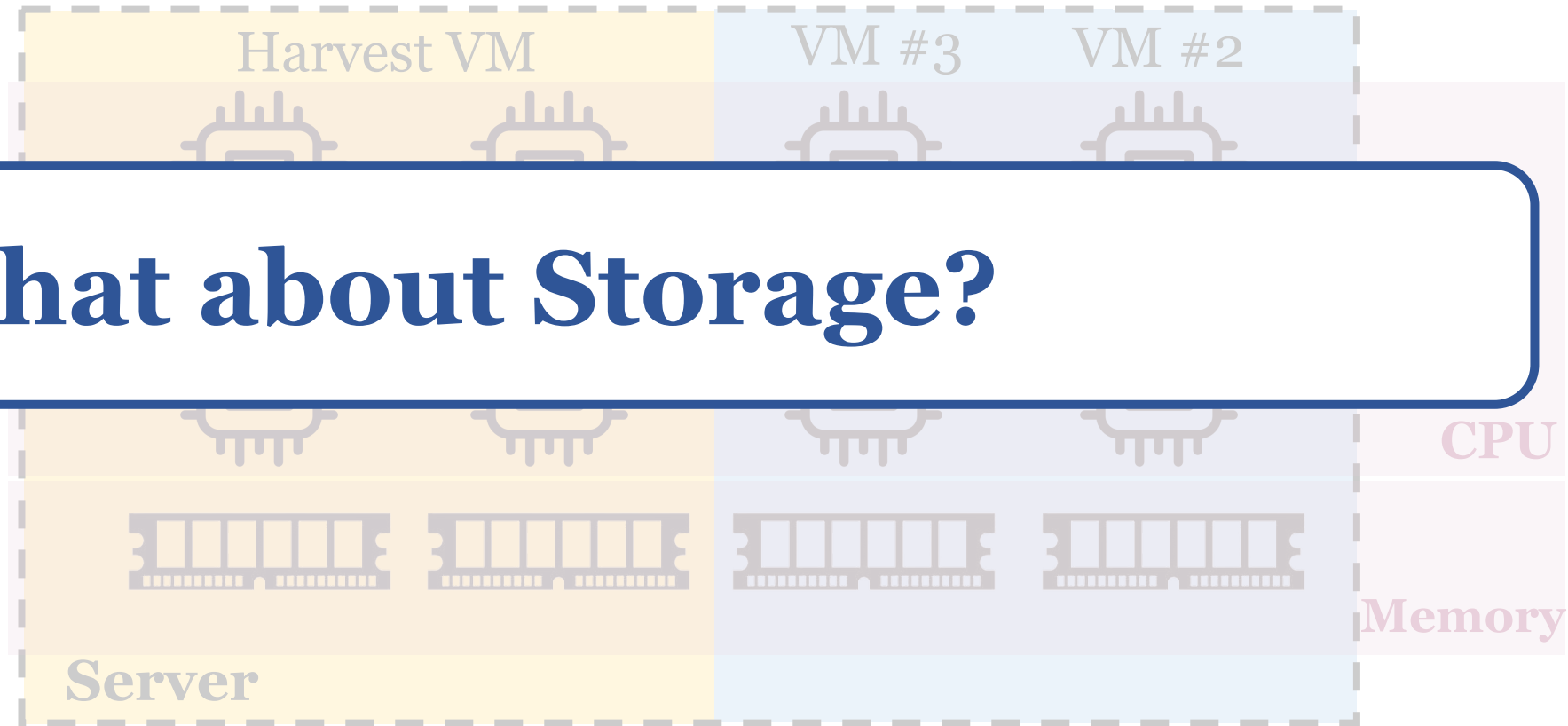


Monitor Virtualization

What about Storage?



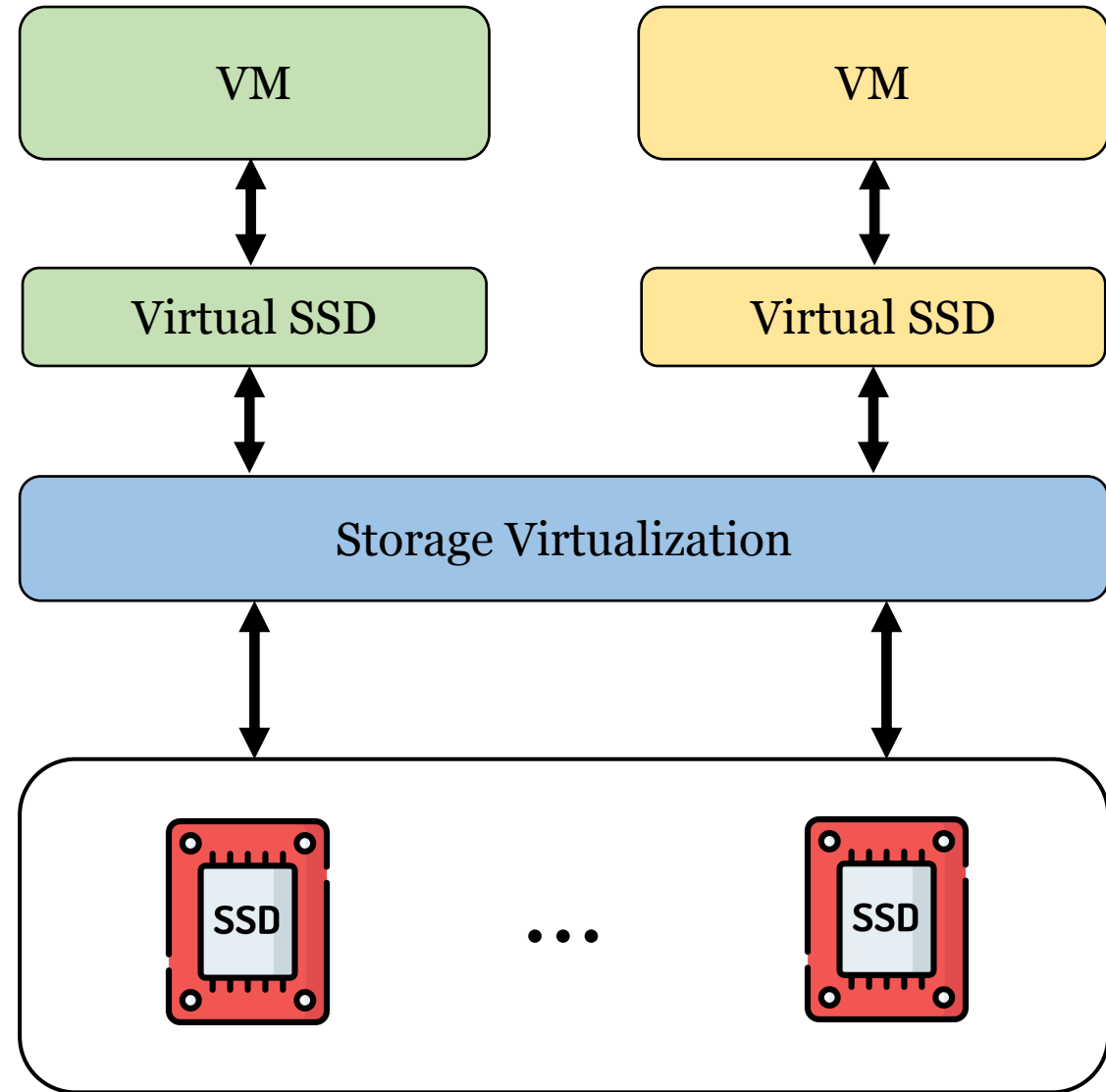
Low Overhead for
Resource Scheduling



Storage Harvesting is Uniquely Challenging



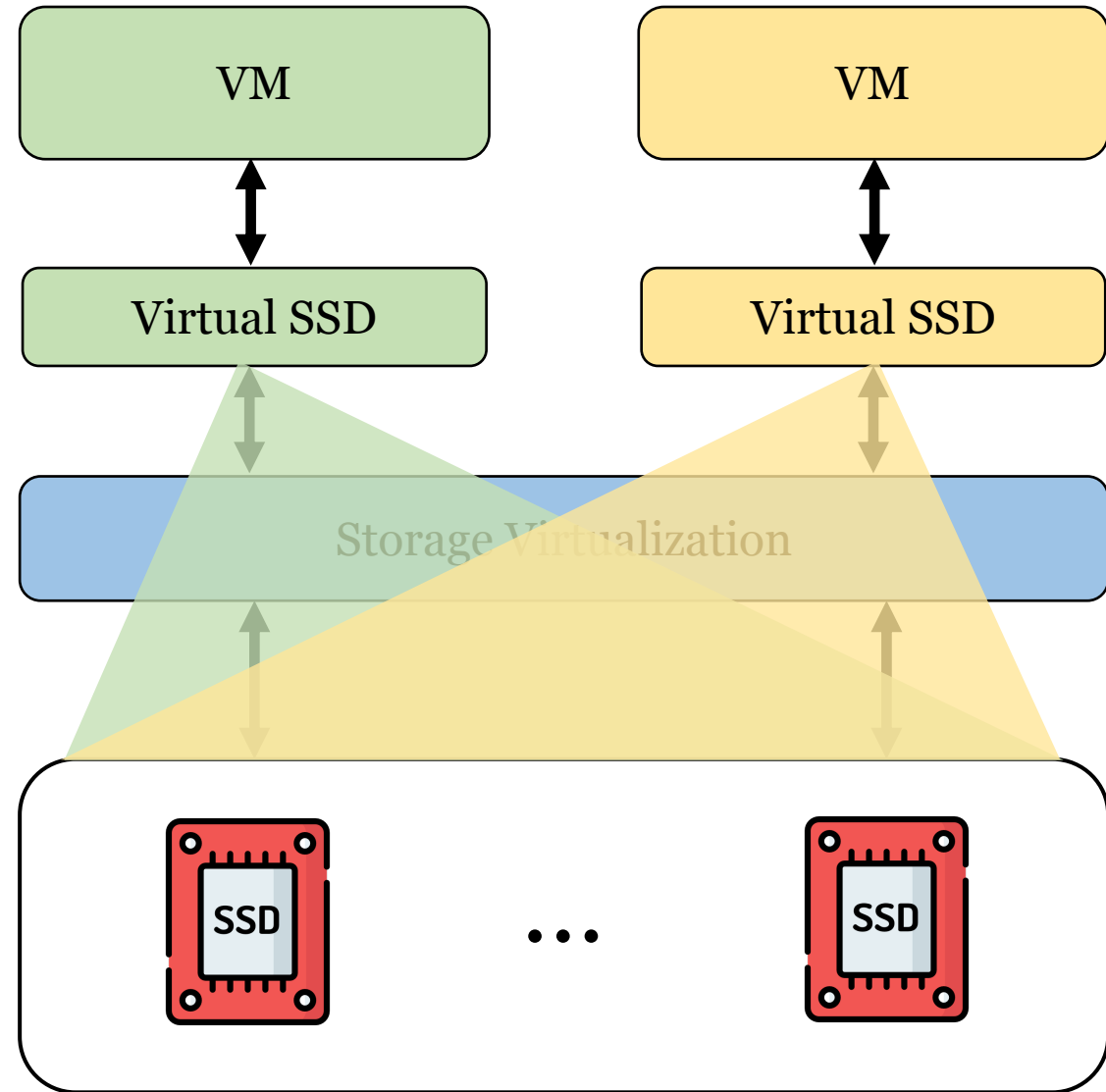
Insufficient Virtualization Support



Storage Harvesting is Uniquely Challenging



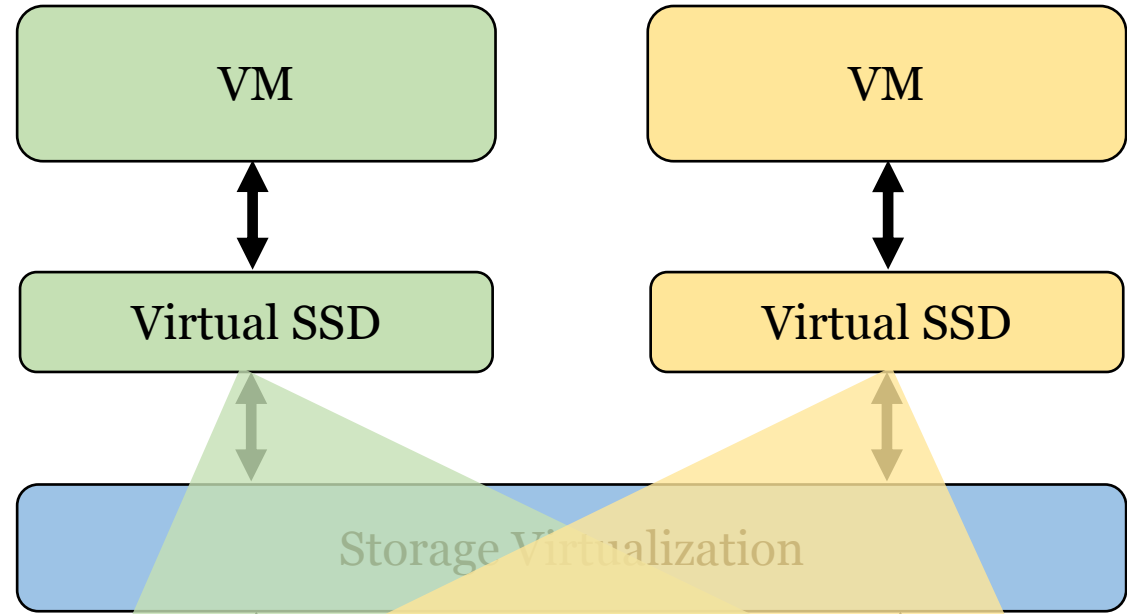
Insufficient Virtualization Support



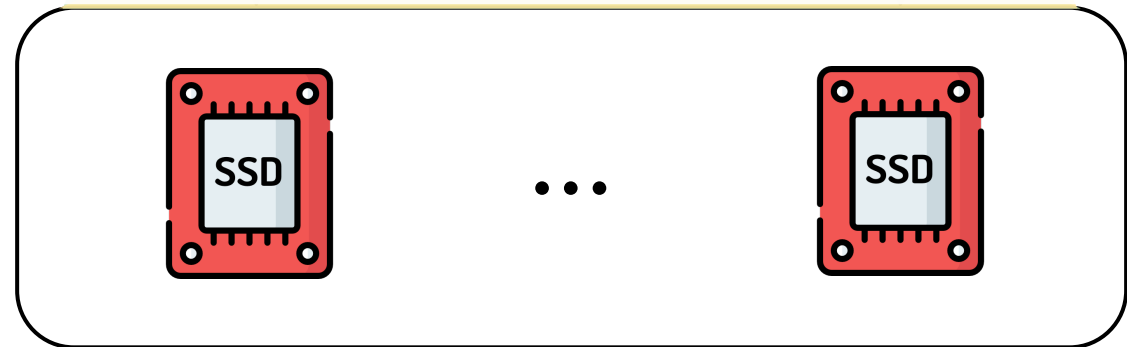
Storage Harvesting is Uniquely Challenging



Insufficient Virtualization Support



With current storage virtualization, we have no clue which blocks are harvestable!



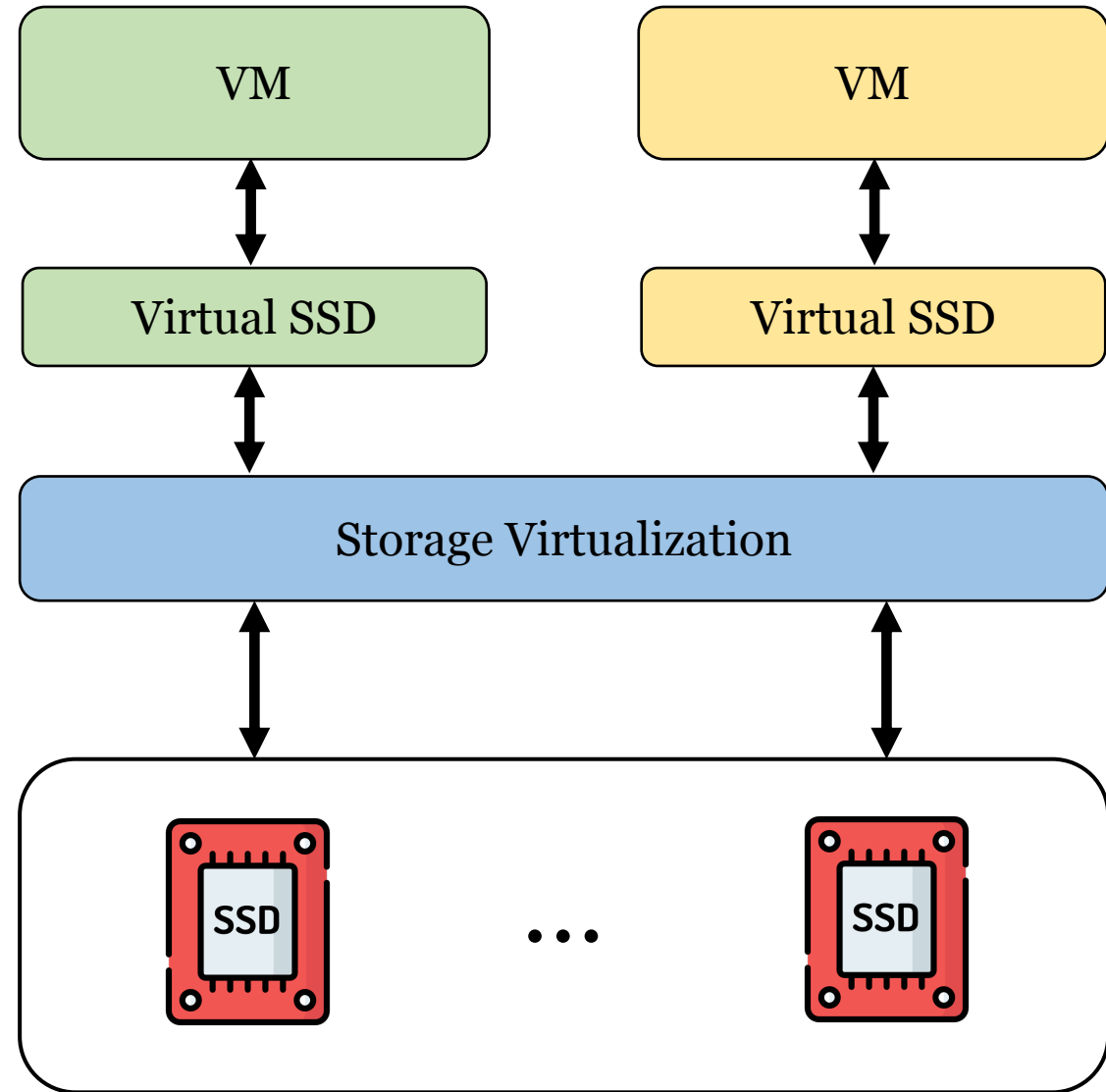
Storage Harvesting is Uniquely Challenging



Insufficient Virtualization Support



Data Security Concern



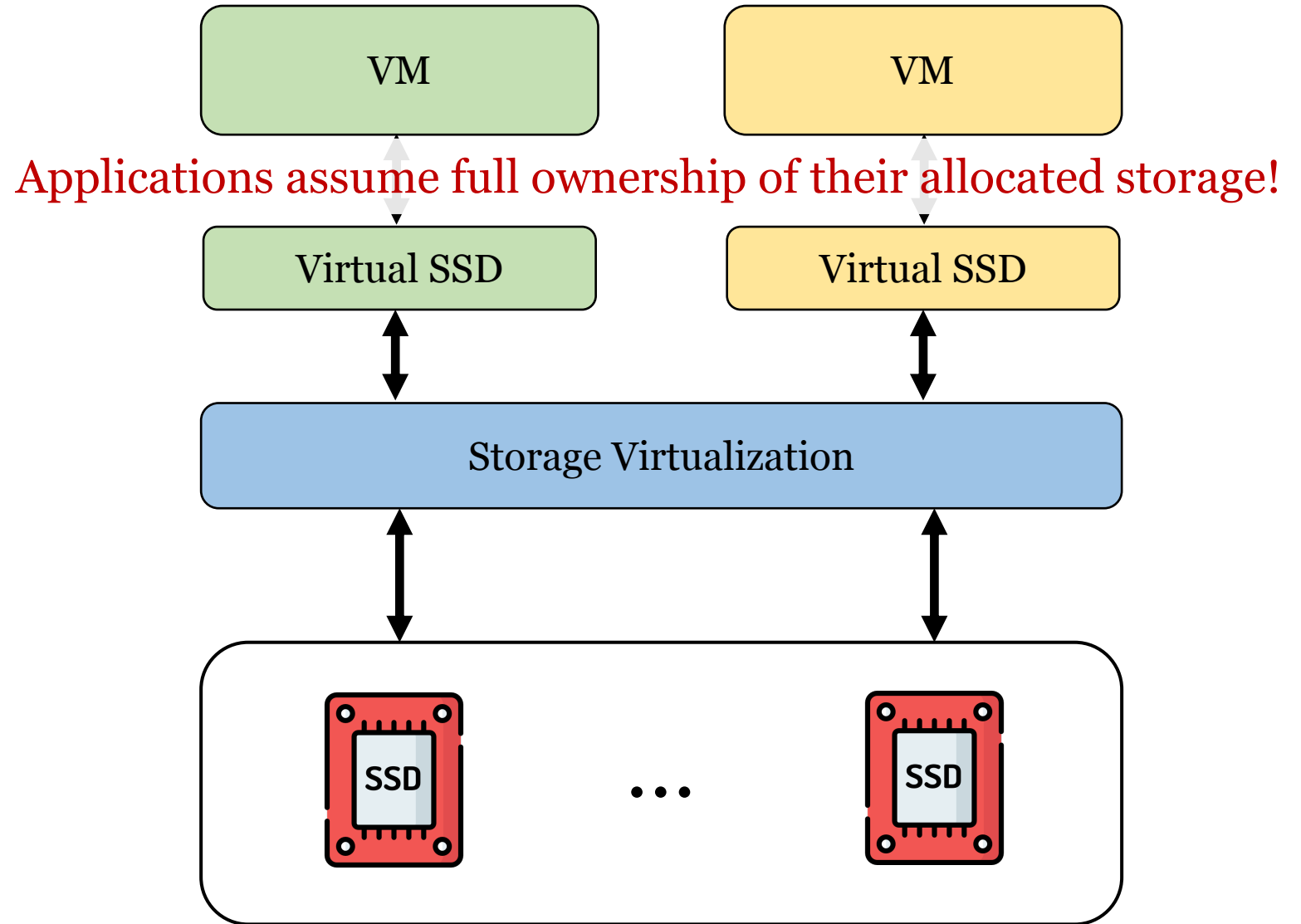
Storage Harvesting is Uniquely Challenging



Insufficient Virtualization Support



Data Security Concern



Storage Harvesting is Uniquely Challenging



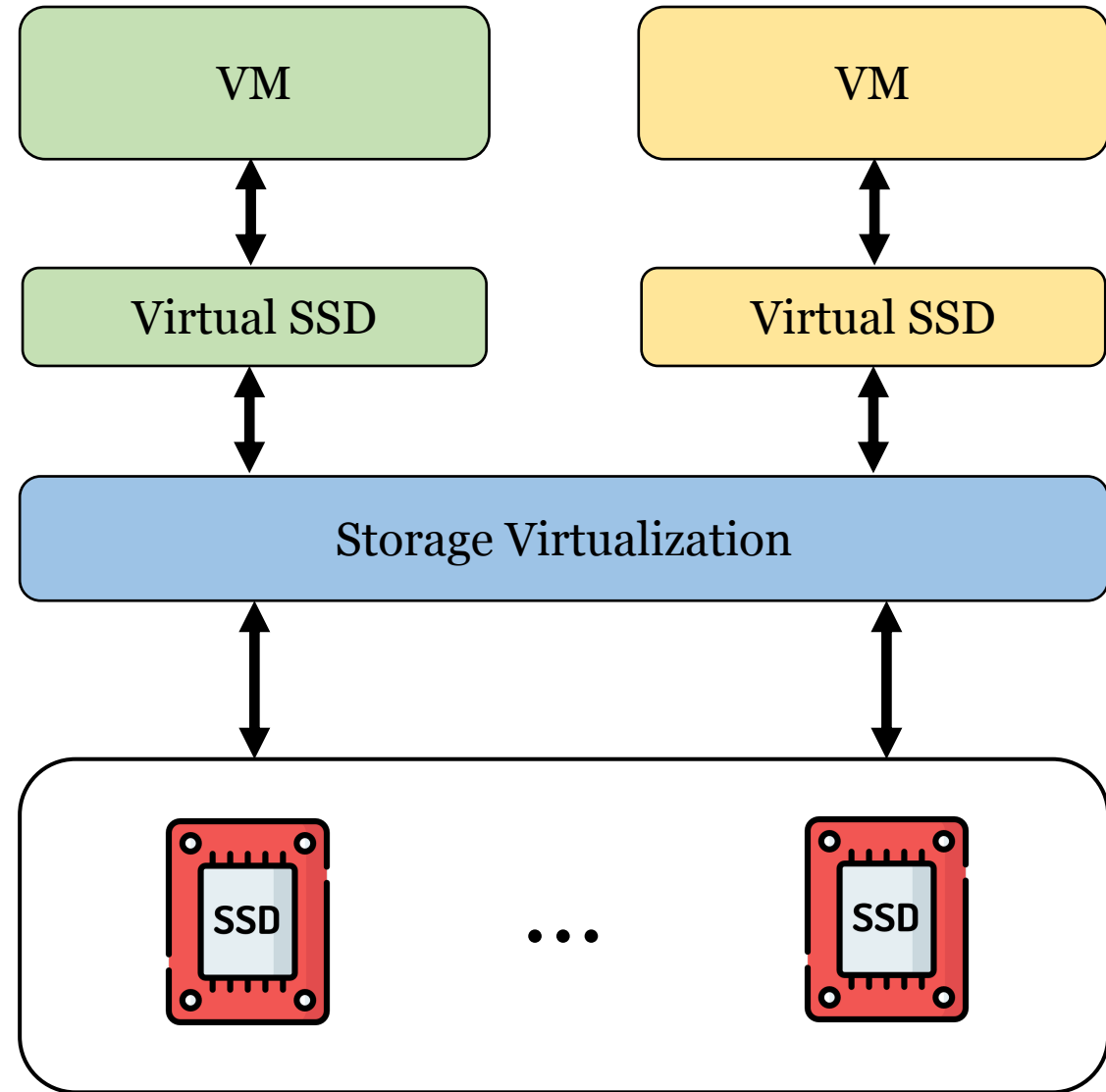
Insufficient Virtualization Support



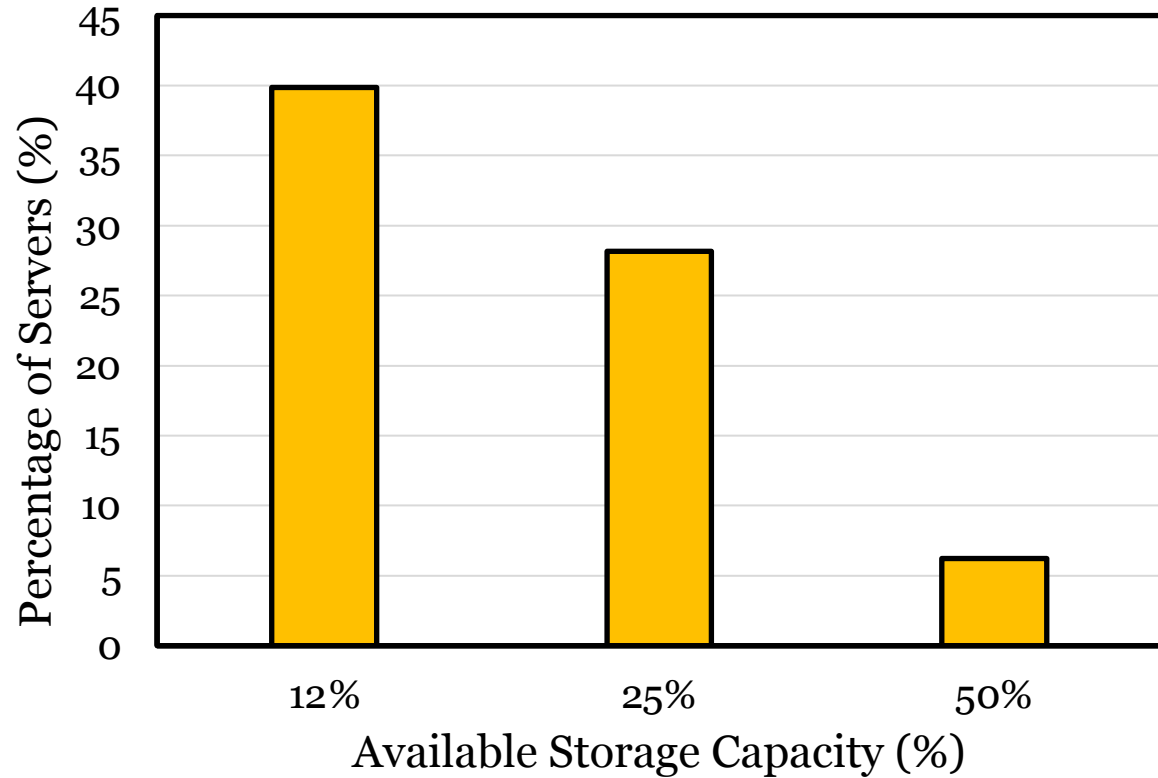
Data Security Concern



Storage Performance Interference

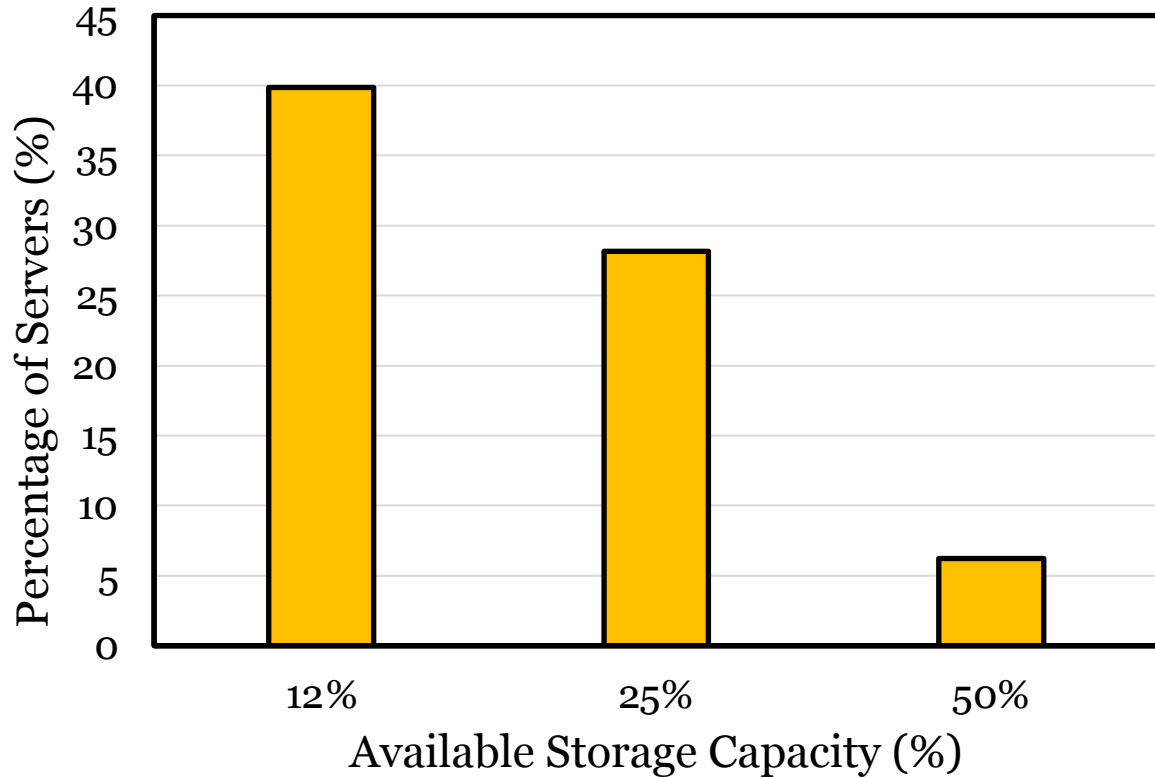


Is Storage Harvesting Worth It?



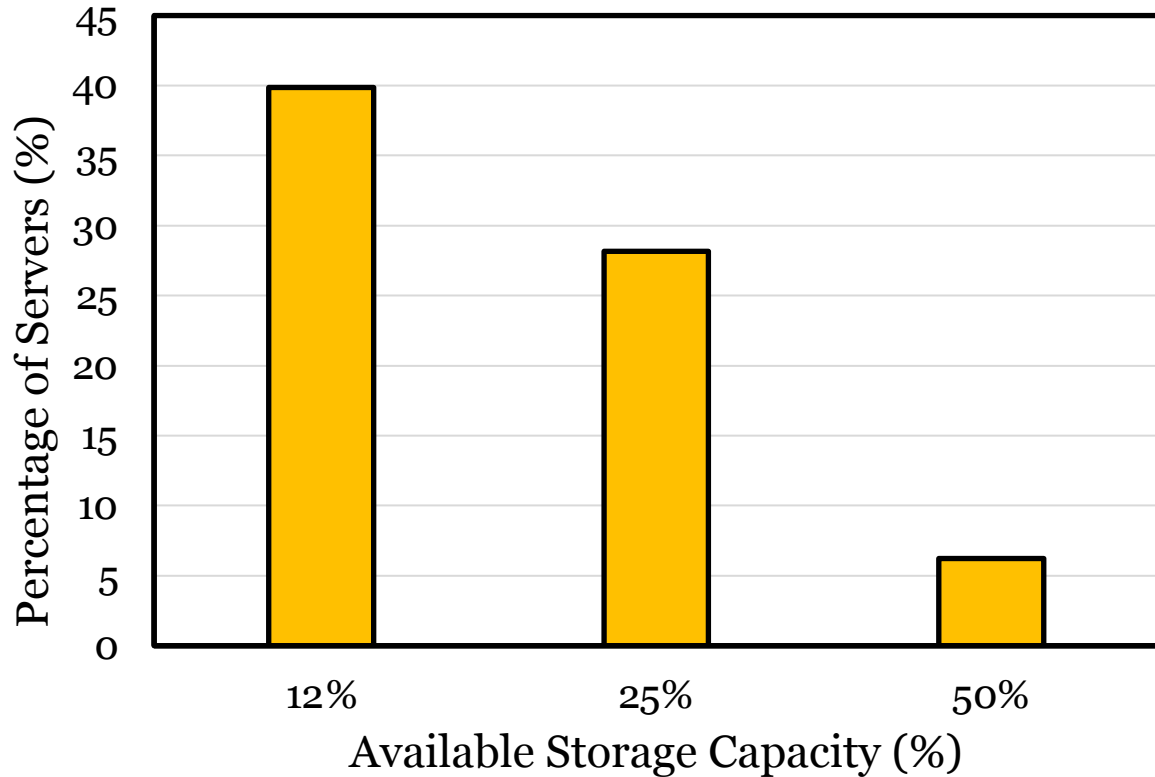
Is Storage Harvesting Worth It?

40% of servers have harvestable storage capacity



Is Storage Harvesting Worth It?

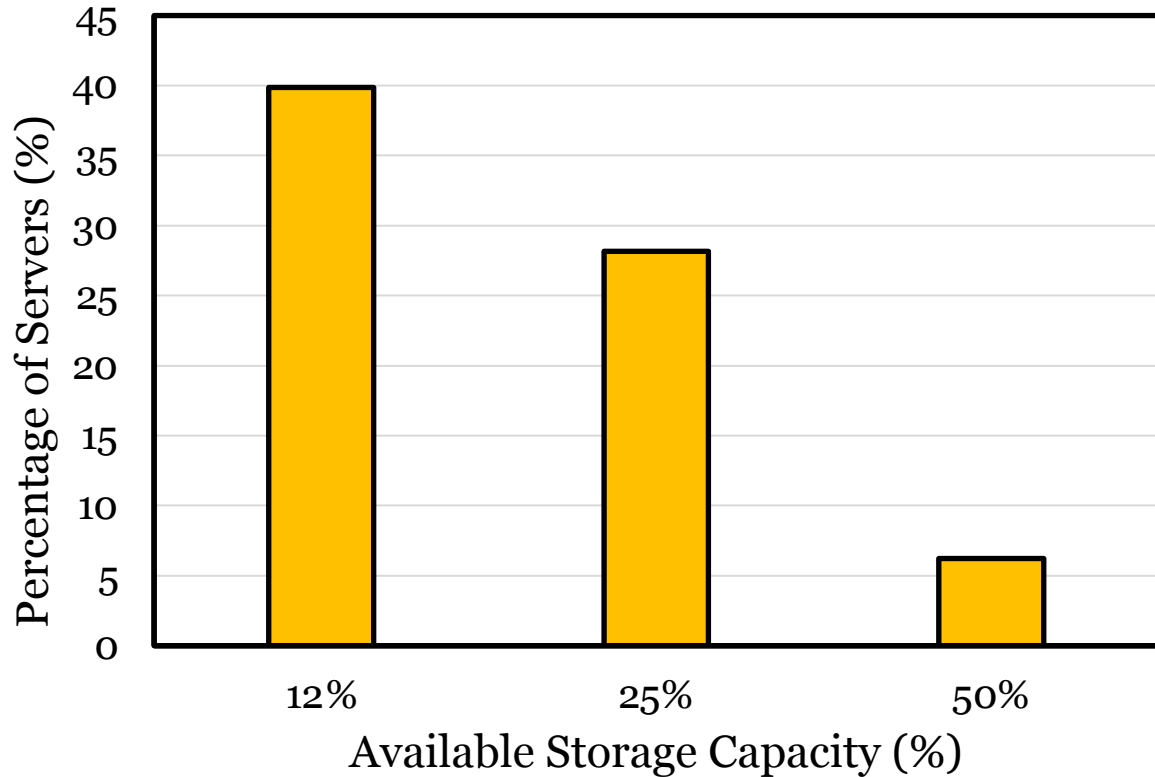
40% of servers have harvestable storage capacity



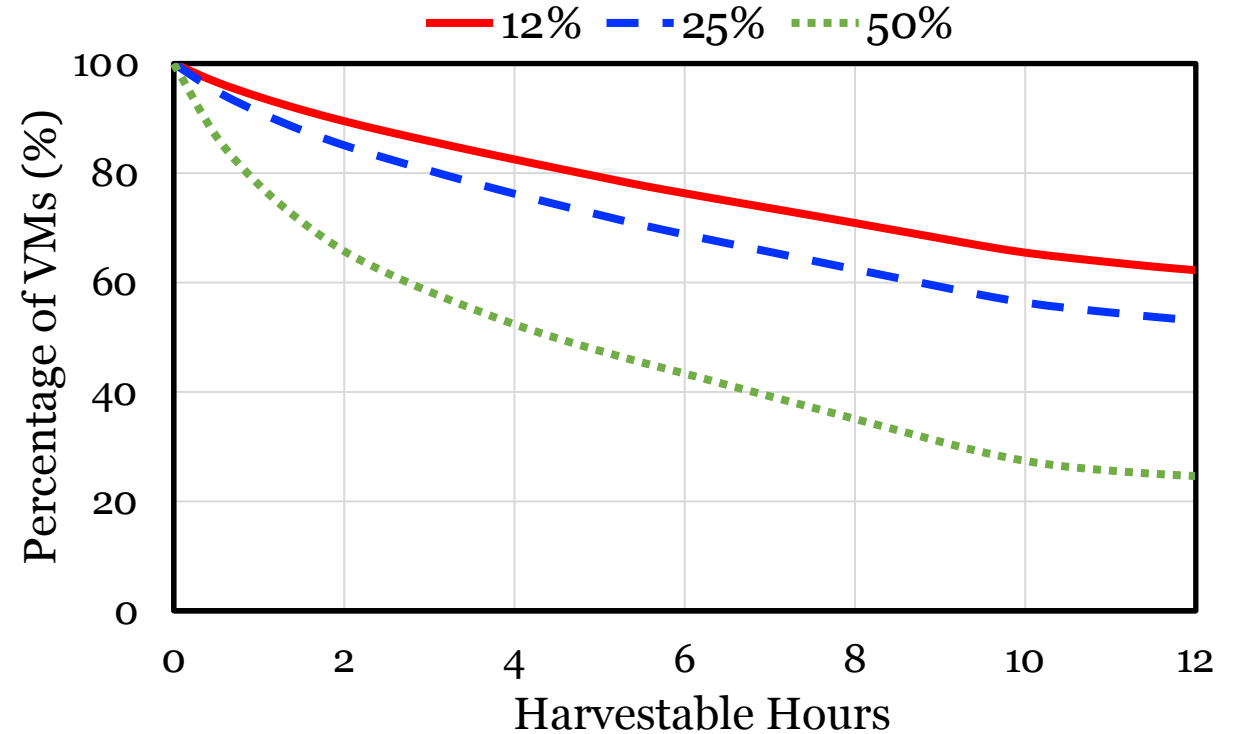
Over 6% of servers have **50% of their storage available**

Is Storage Harvesting Worth It?

40% of servers have harvestable storage capacity

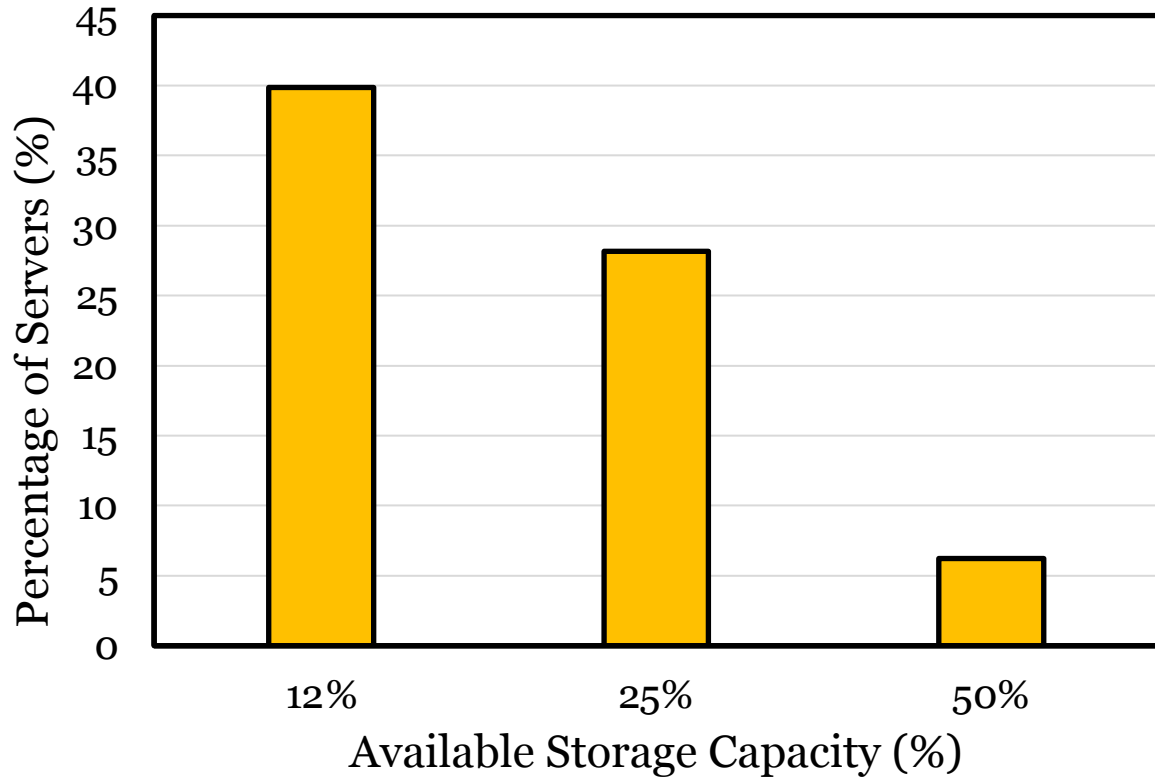


Over 6% of servers have **50% of their storage available**



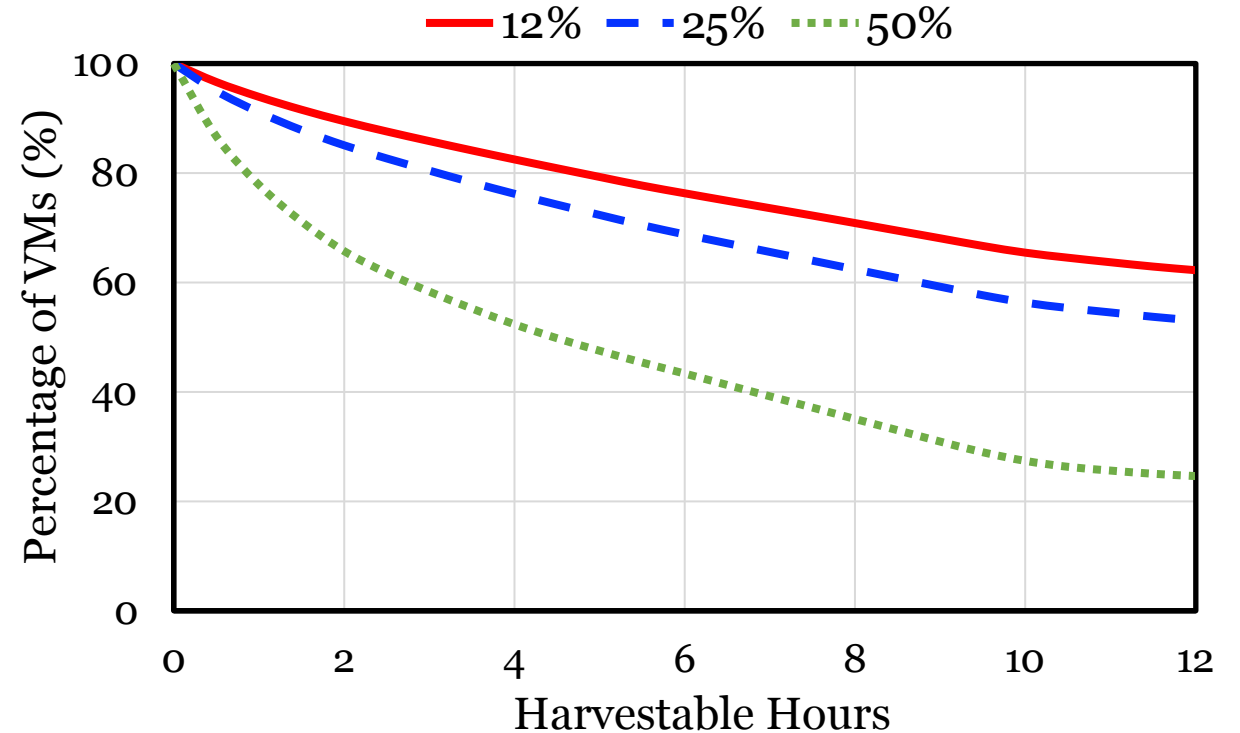
Is Storage Harvesting Worth It?

40% of servers have harvestable storage capacity



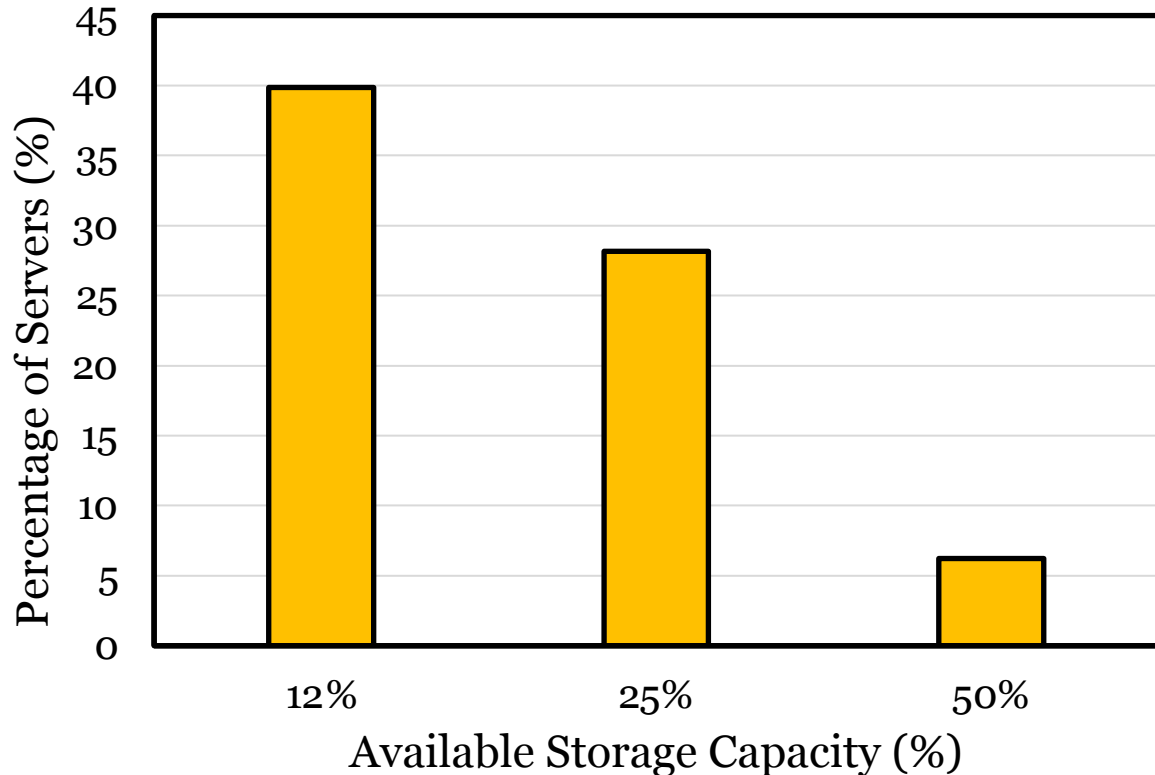
Over 6% of servers have **50% of their storage available**

Over 60% of harvestable storage lasts over 12 hours



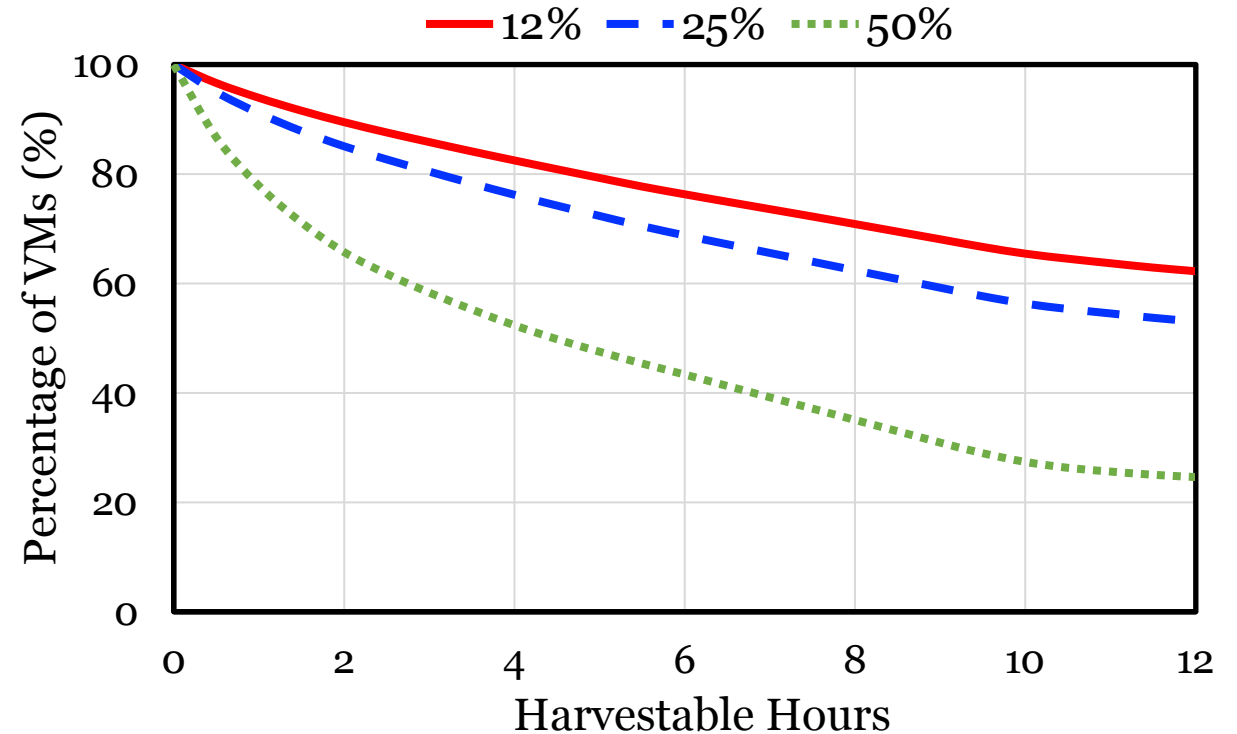
Is Storage Harvesting Worth It?

40% of servers have harvestable storage capacity



Over 6% of servers have **50% of their storage available**

Over 60% of harvestable storage lasts over 12 hours



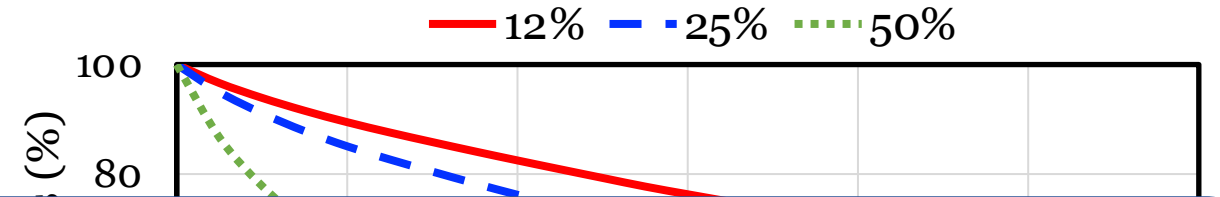
Harvesting of all sizes shows **low chance of eviction**

Is Storage Harvesting Worth It?

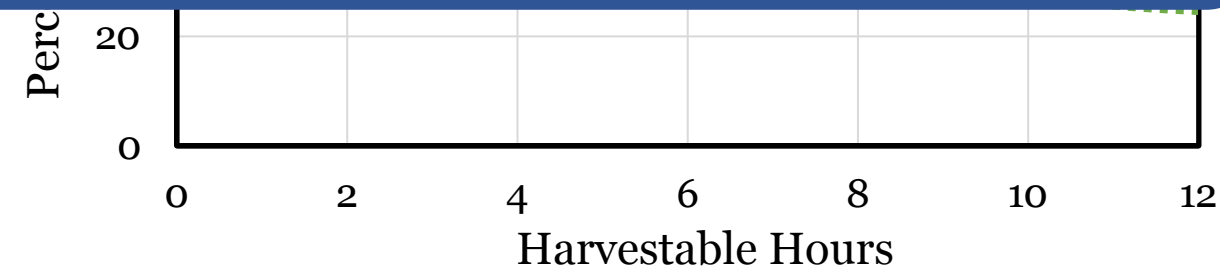
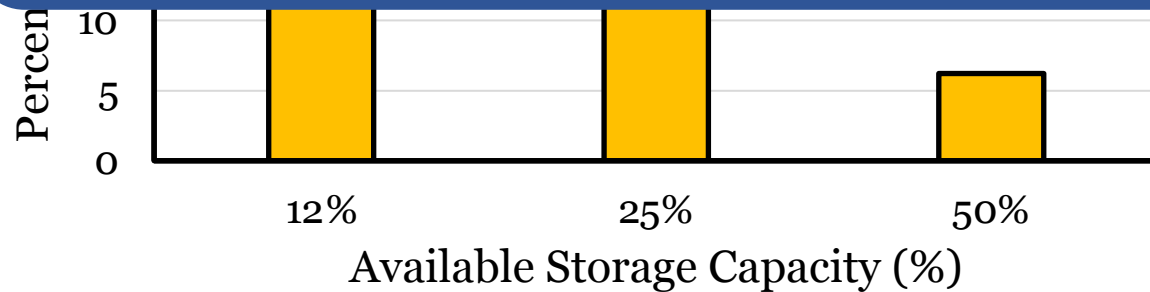
40% of servers have harvestable storage capacity



Over 60% of harvestable storage lasts over 12 hours



Storage Harvesting is Promising!



Over 6% of servers have 50% of their storage available

Harvesting of all sizes shows low chance of eviction

BlockFlex: Enabling Storage Harvesting in Modern Cloud



**Insufficient Virtualization
Support**



Data Security Concern



**Storage Performance
Interference**

BlockFlex: Enabling Storage Harvesting in Modern Cloud



Insufficient Virtualization Support



Extend Storage Virtualization with Ghost vSSD Abstraction



Data Security Concern

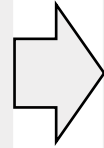


Storage Performance Interference

BlockFlex: Enabling Storage Harvesting in Modern Cloud



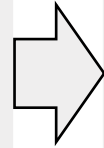
Insufficient Virtualization Support



Extend Storage Virtualization with **Ghost vSSD Abstraction**



Data Security Concern



Enable Fine-Grained **Hardware Isolation** and **Block Erasing**



Storage Performance Interference

BlockFlex: Enabling Storage Harvesting in Modern Cloud



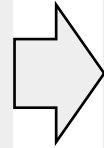
Insufficient Virtualization Support



Extend Storage Virtualization with **Ghost vSSD Abstraction**



Data Security Concern



Enable Fine-Grained **Hardware Isolation** and **Block Erasing**



Storage Performance Interference

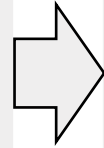


Minimize the **Impact of Harvesting** on Regular VMs

BlockFlex: Enabling Storage Harvesting in Modern Cloud



Insufficient Virtualization Support



Extend Storage Virtualization with Ghost vSSD Abstraction



Data Security Concern



Enable Fine-Grained **Hardware Isolation** and **Block Erasing**

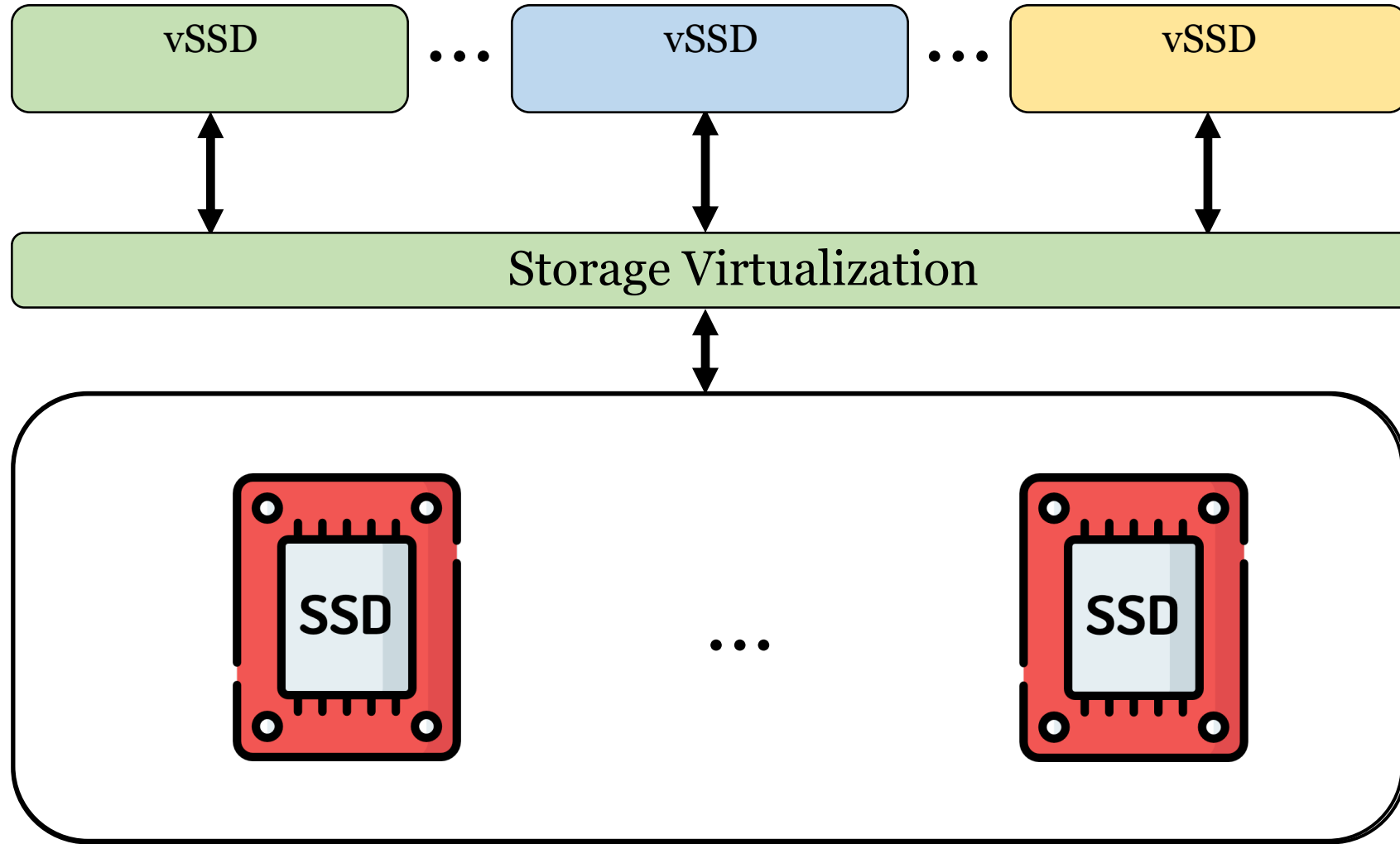


Storage Performance Interference

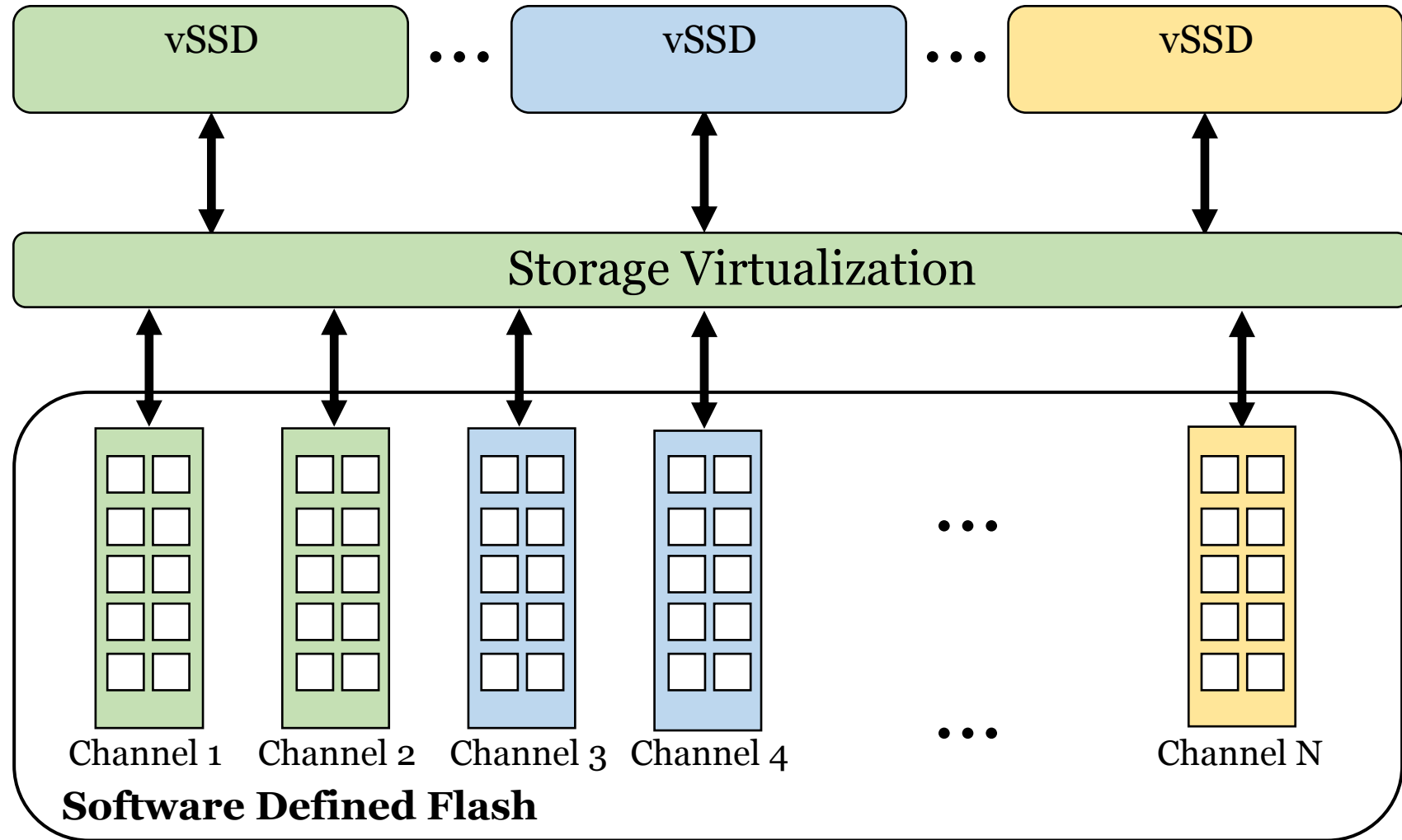


Minimize the Impact of Harvesting on Regular VMs

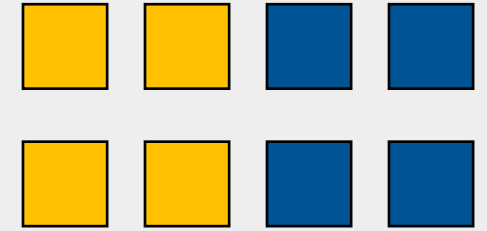
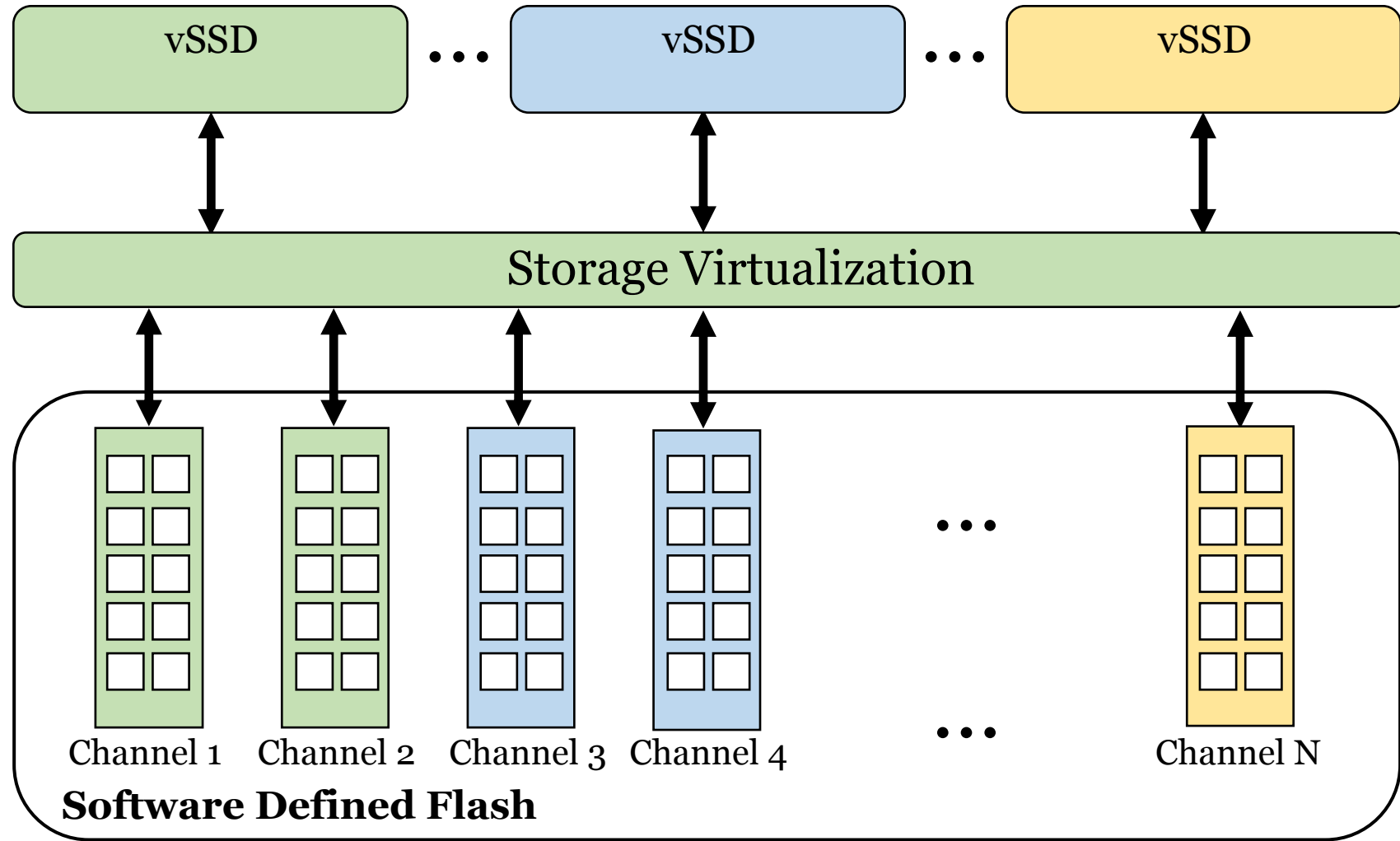
Enabling Storage Harvesting with Software-Defined Flash



Enabling Storage Harvesting with Software-Defined Flash

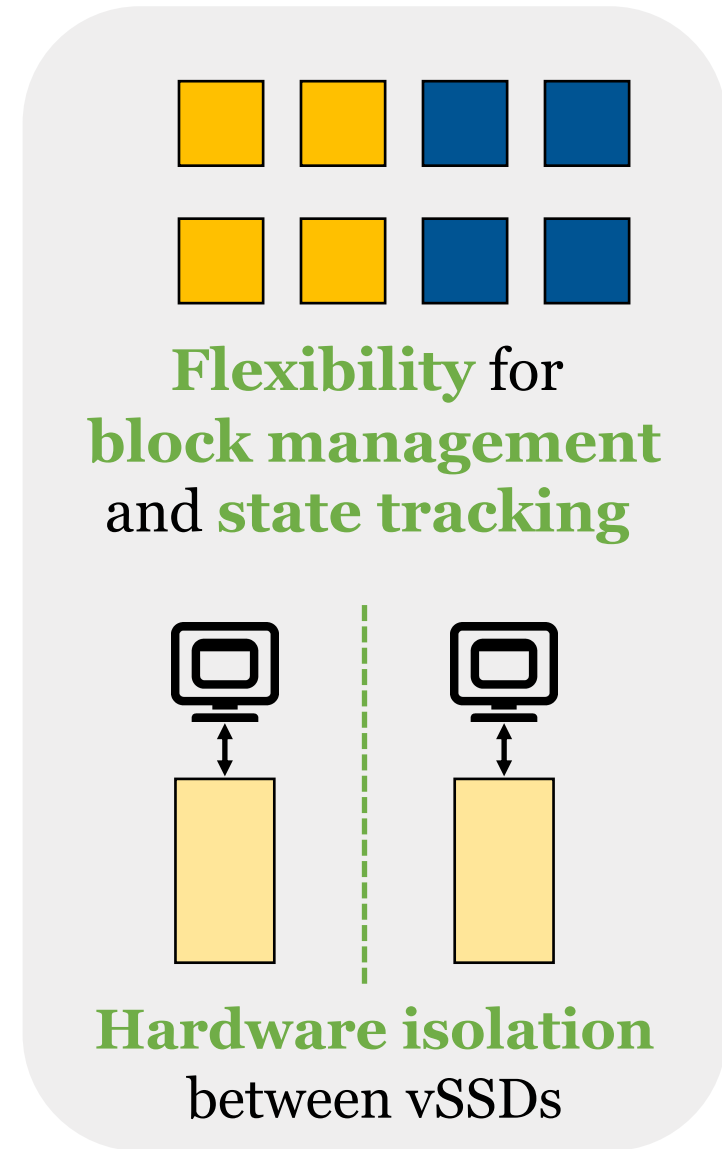
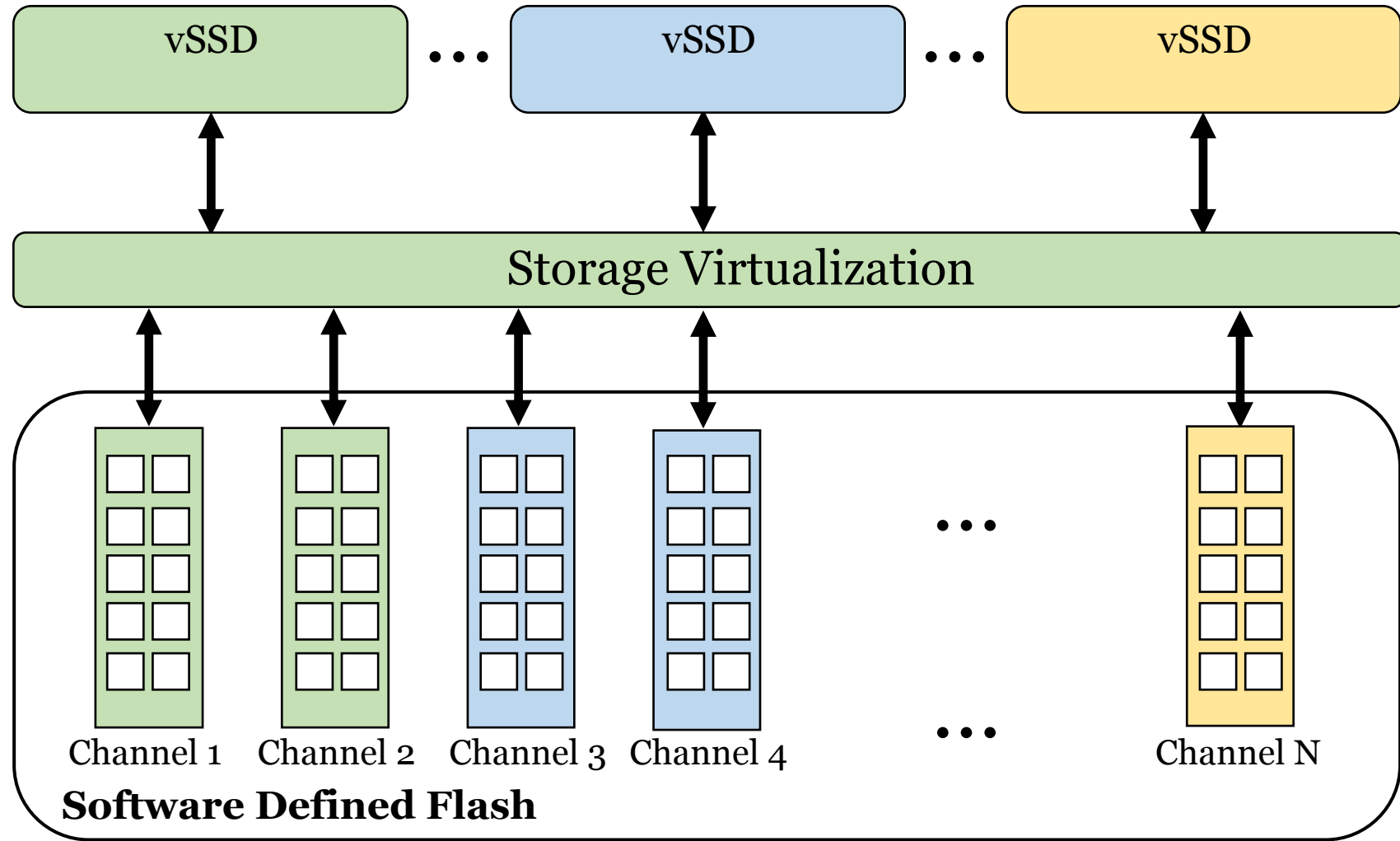


Enabling Storage Harvesting with Software-Defined Flash

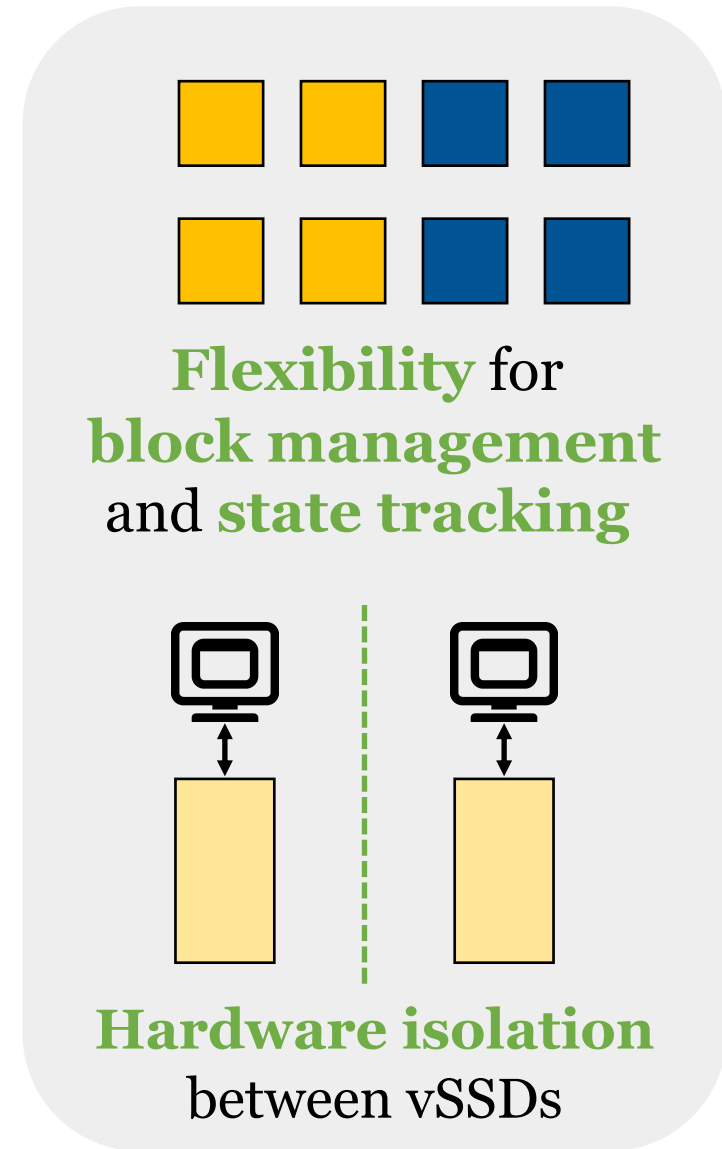
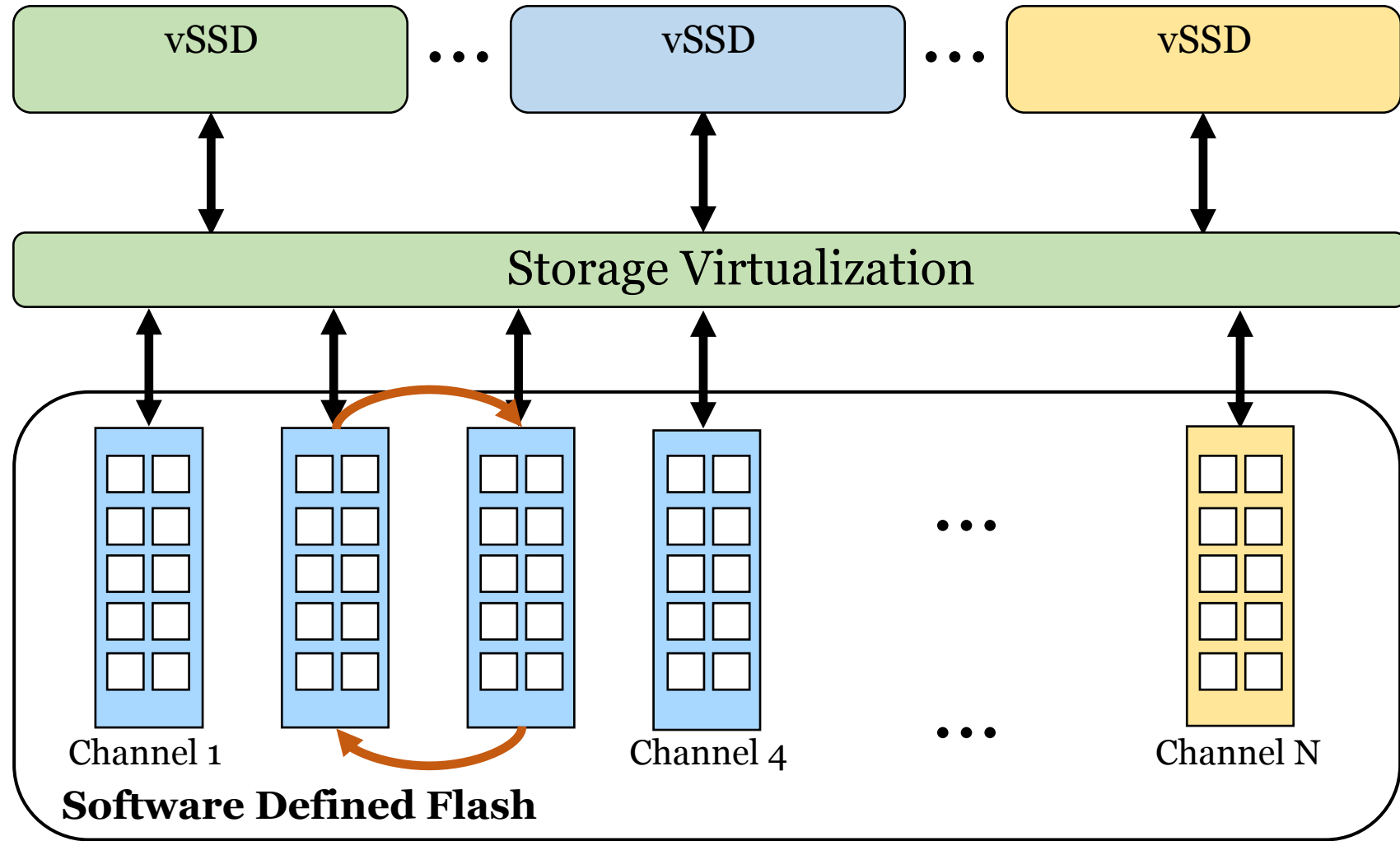


Flexibility for
block management
and **state tracking**

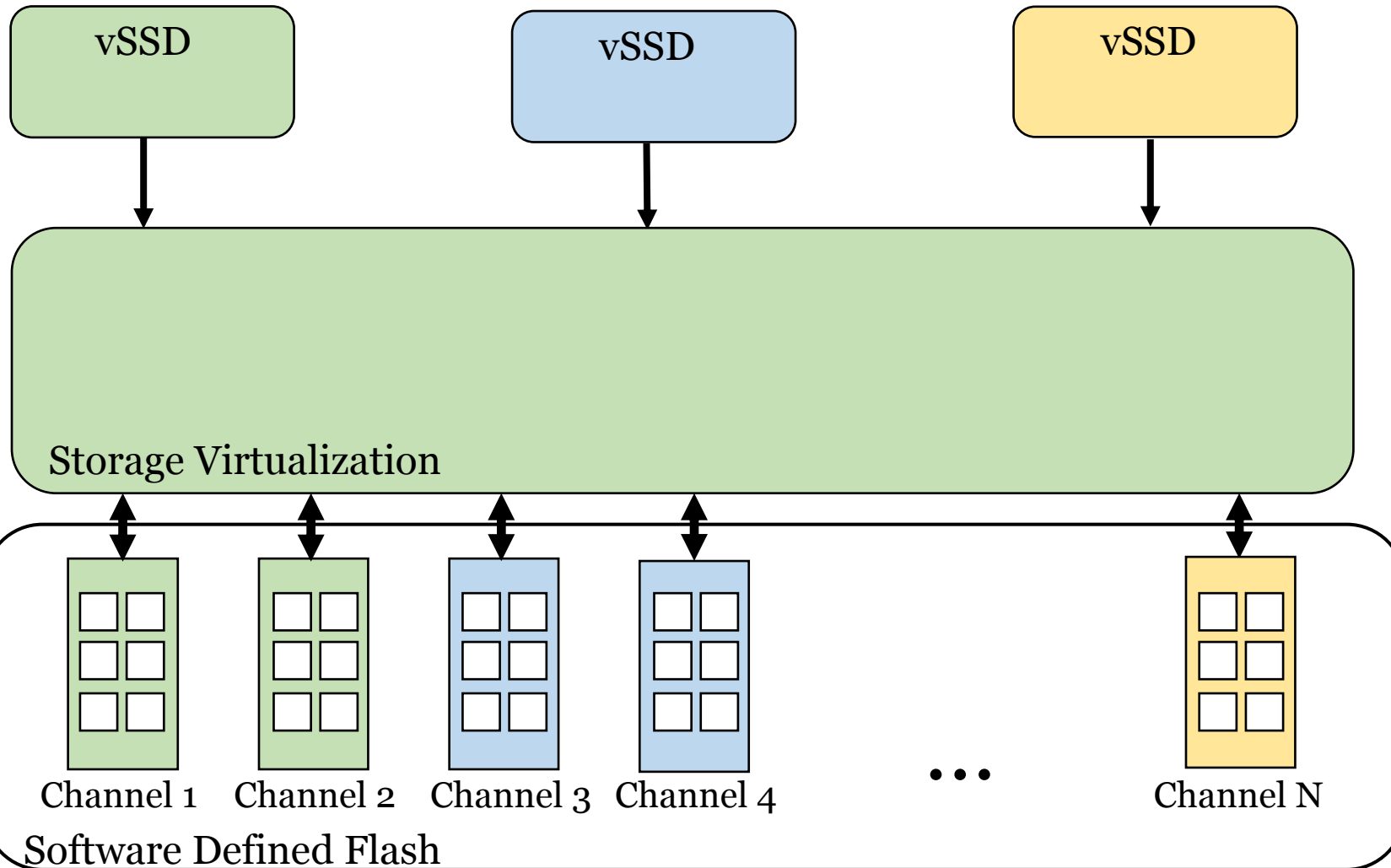
Enabling Storage Harvesting with Software-Defined Flash



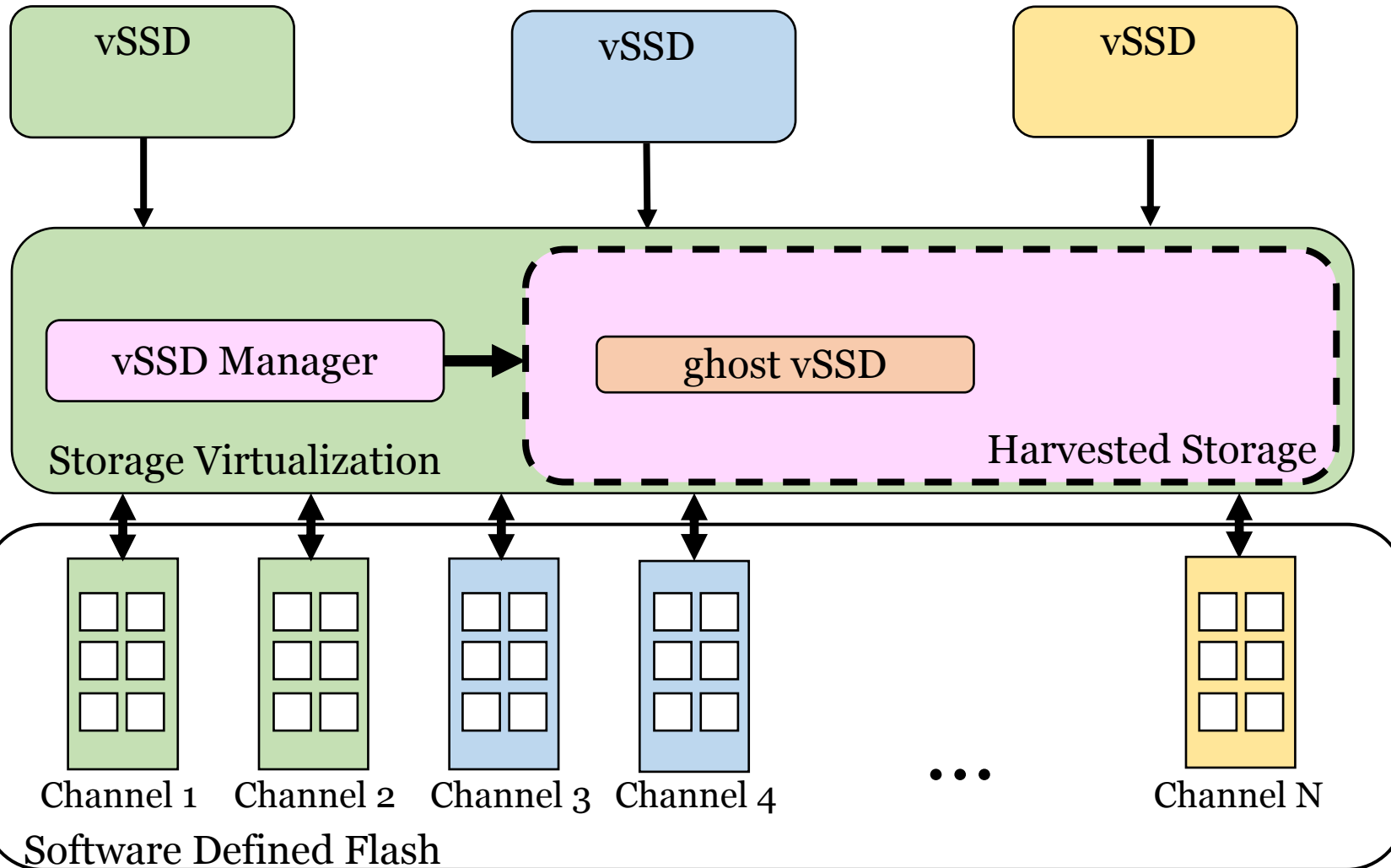
Enabling Storage Harvesting with Software-Defined Flash



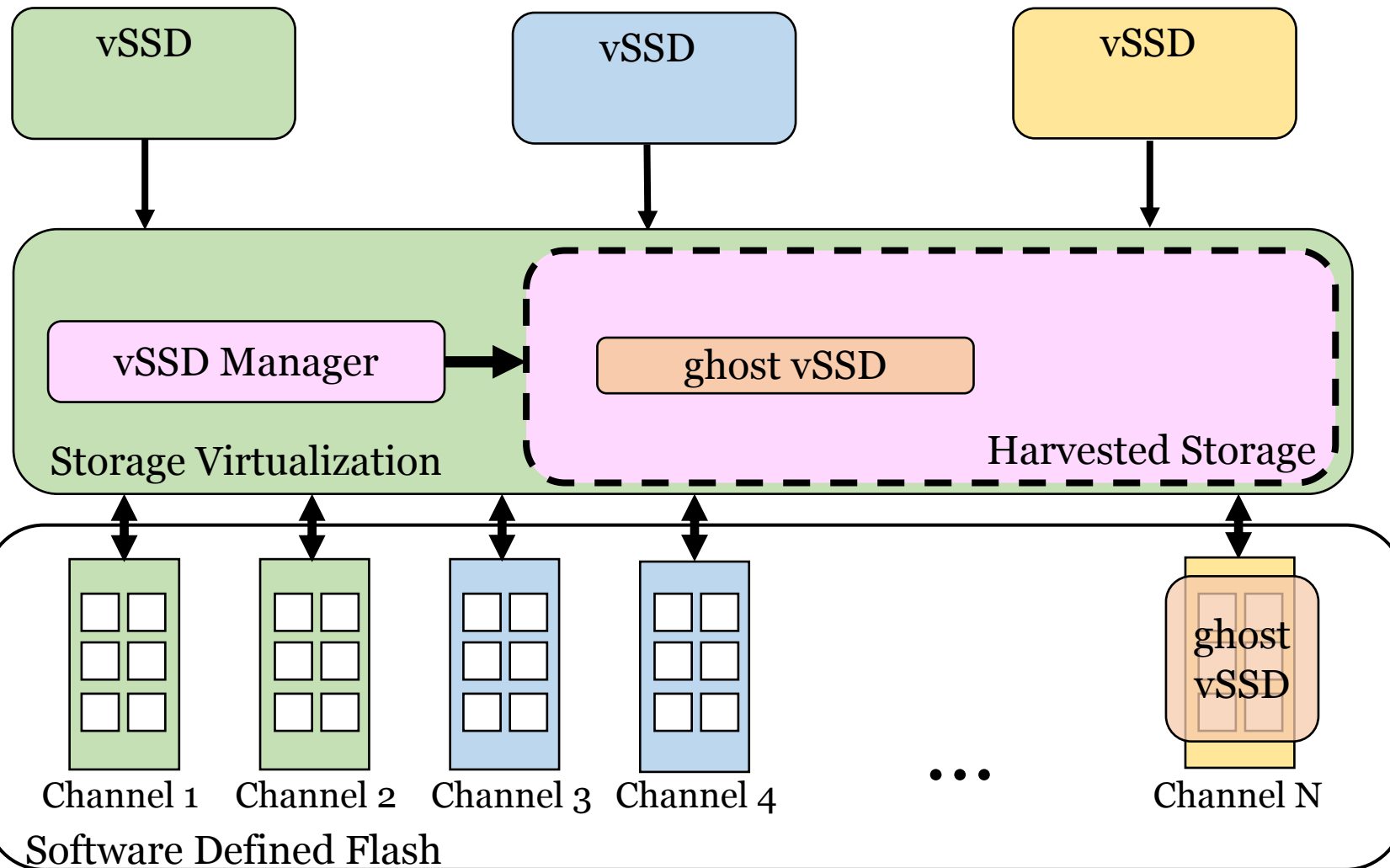
Ghost vSSD: A New vSSD Abstraction for Harvesting



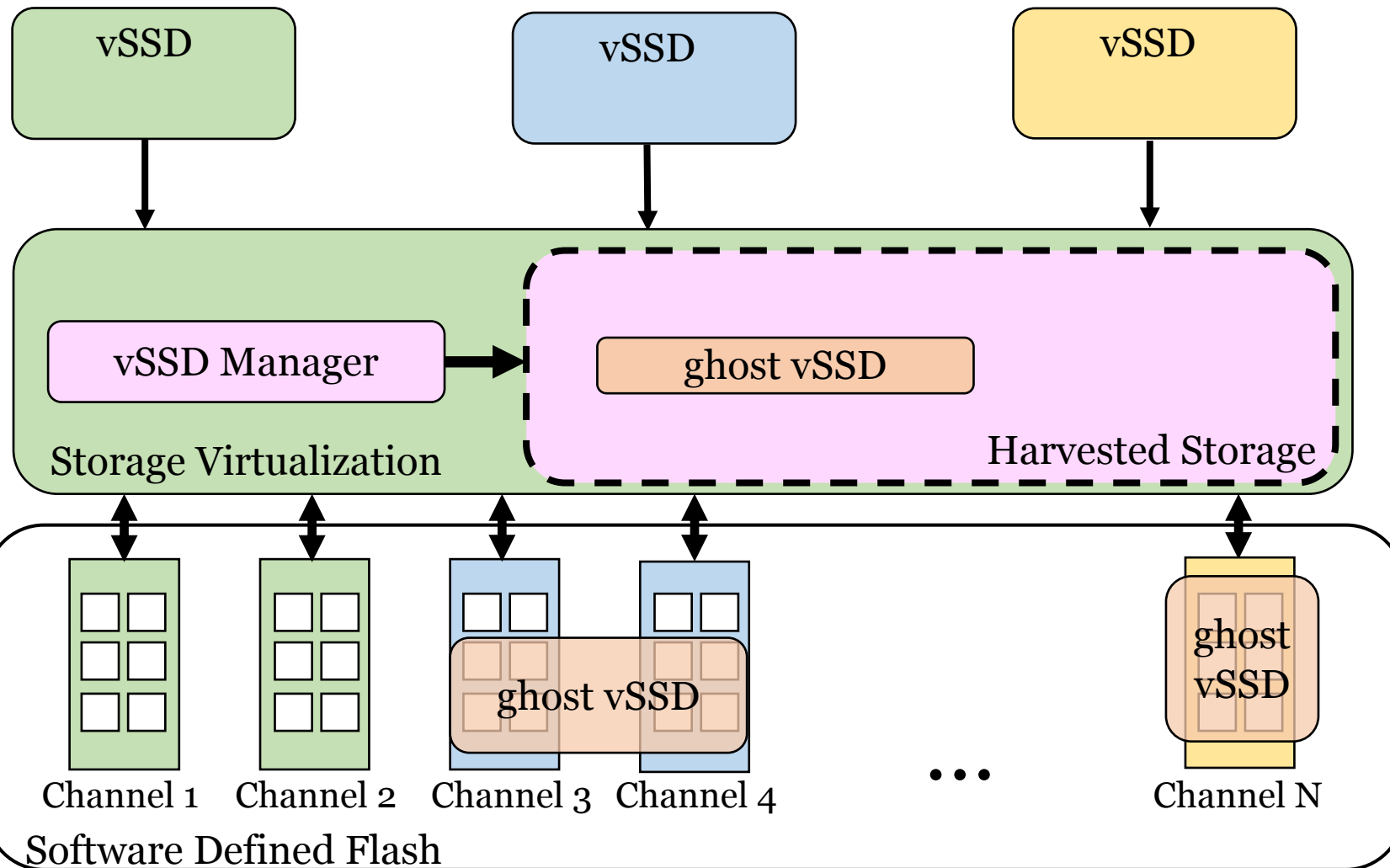
Ghost vSSD: A New vSSD Abstraction for Harvesting



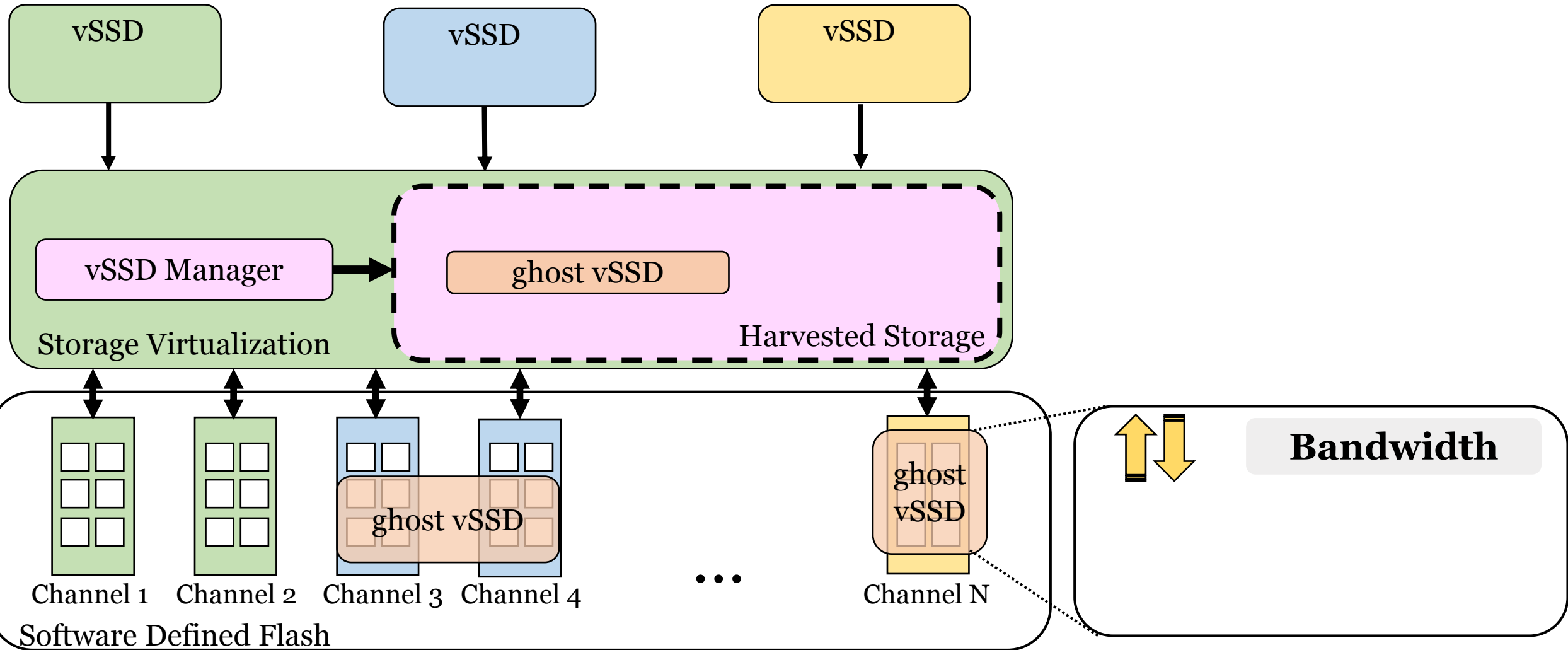
Ghost vSSD: A New vSSD Abstraction for Harvesting



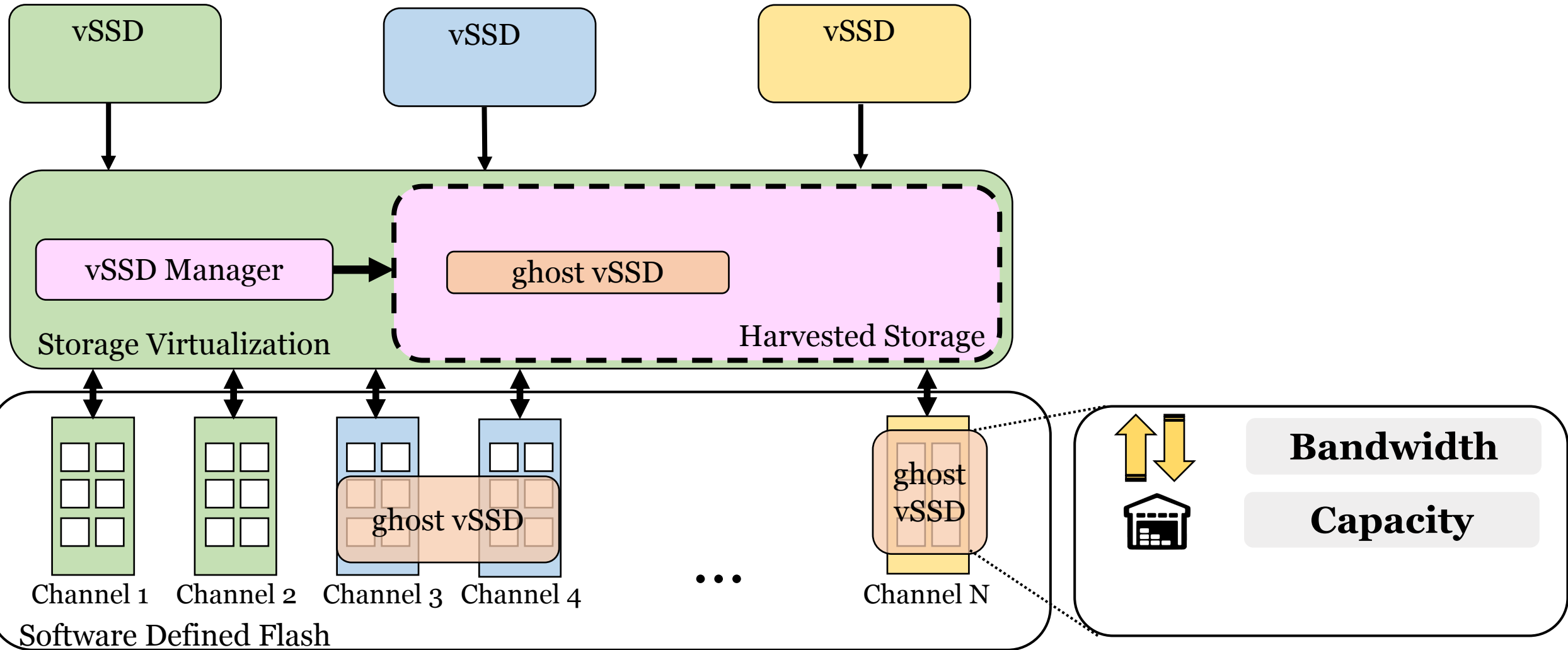
Ghost vSSD: A New vSSD Abstraction for Harvesting



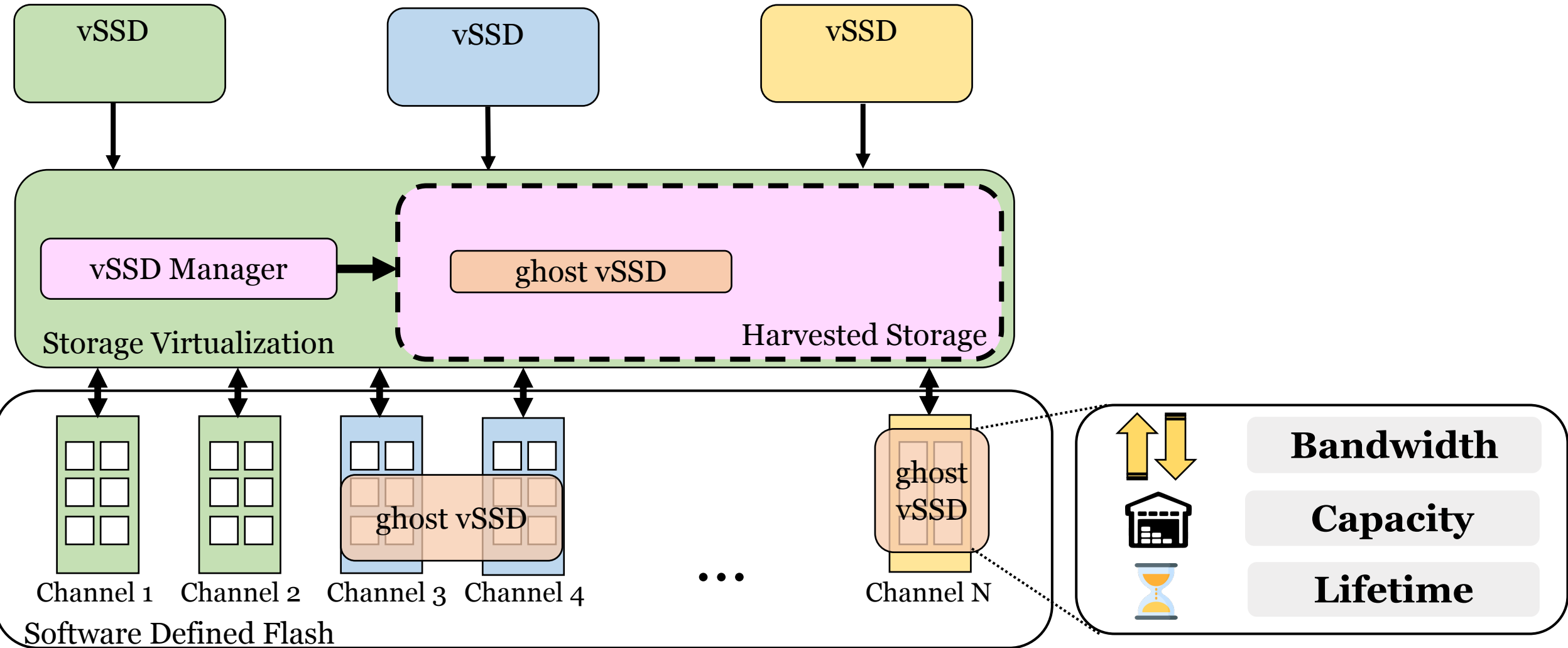
Ghost vSSD: A New vSSD Abstraction for Harvesting



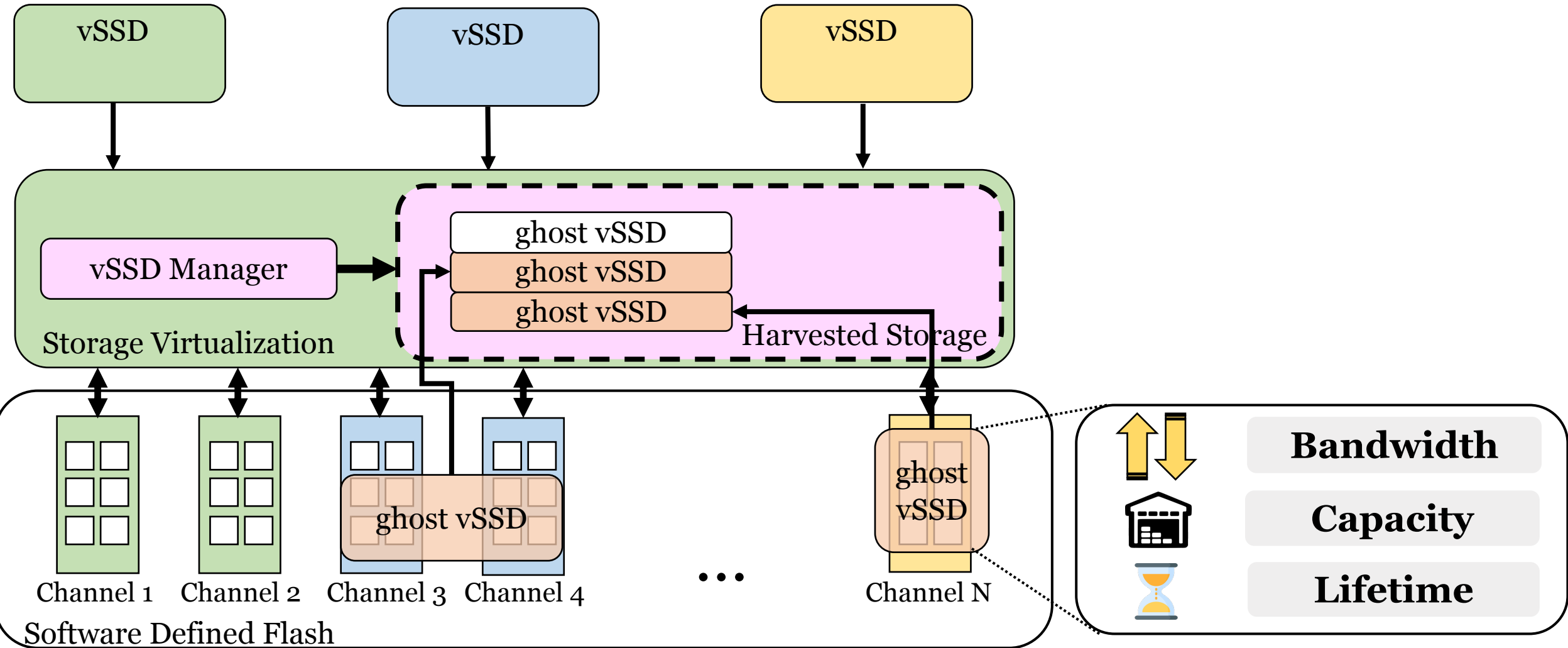
Ghost vSSD: A New vSSD Abstraction for Harvesting



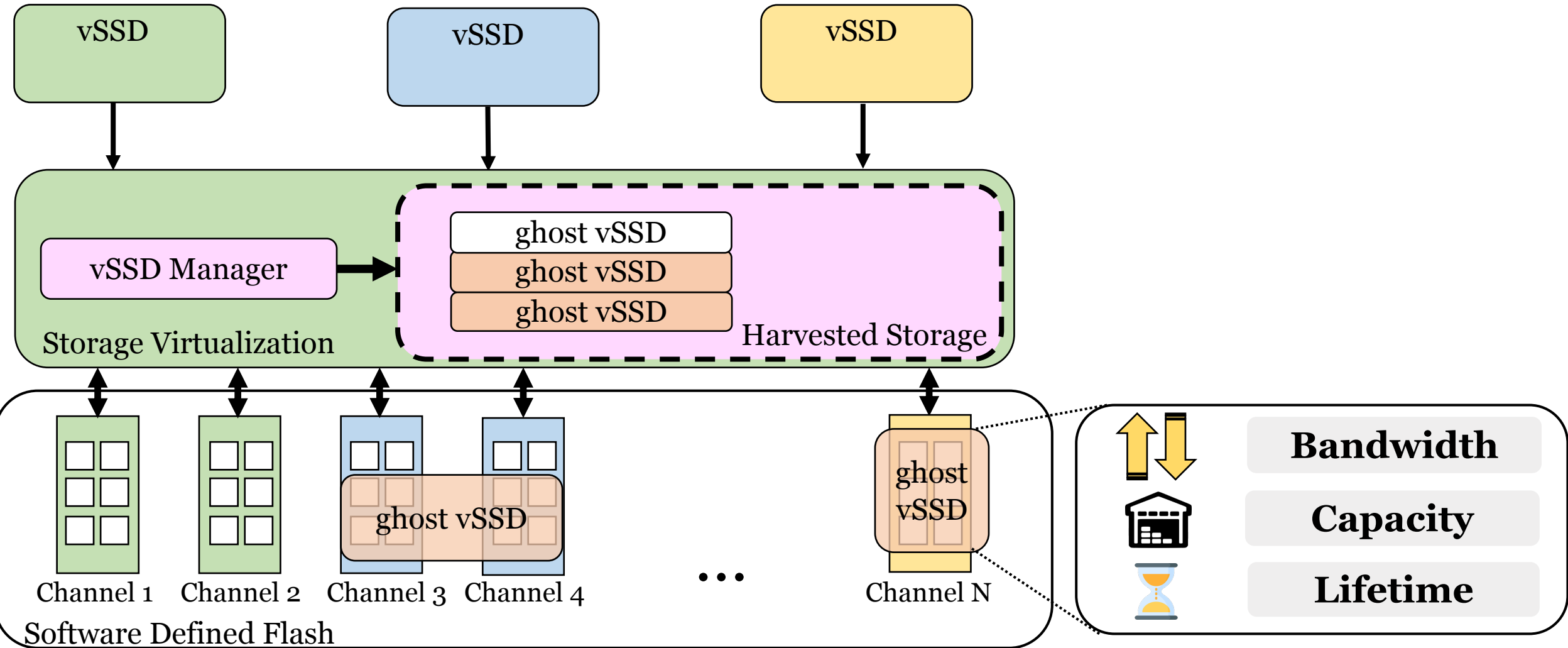
Ghost vSSD: A New vSSD Abstraction for Harvesting



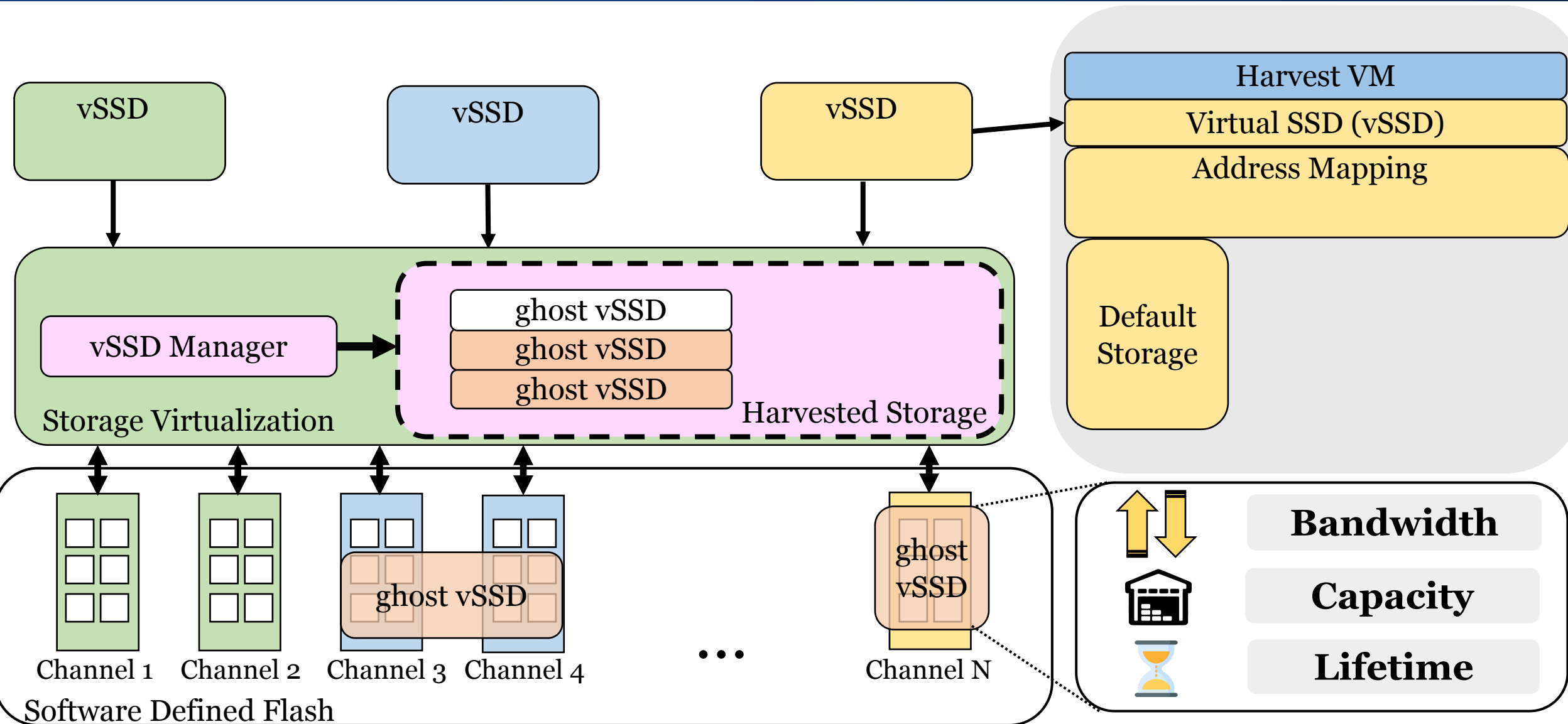
Ghost vSSD: A New vSSD Abstraction for Harvesting



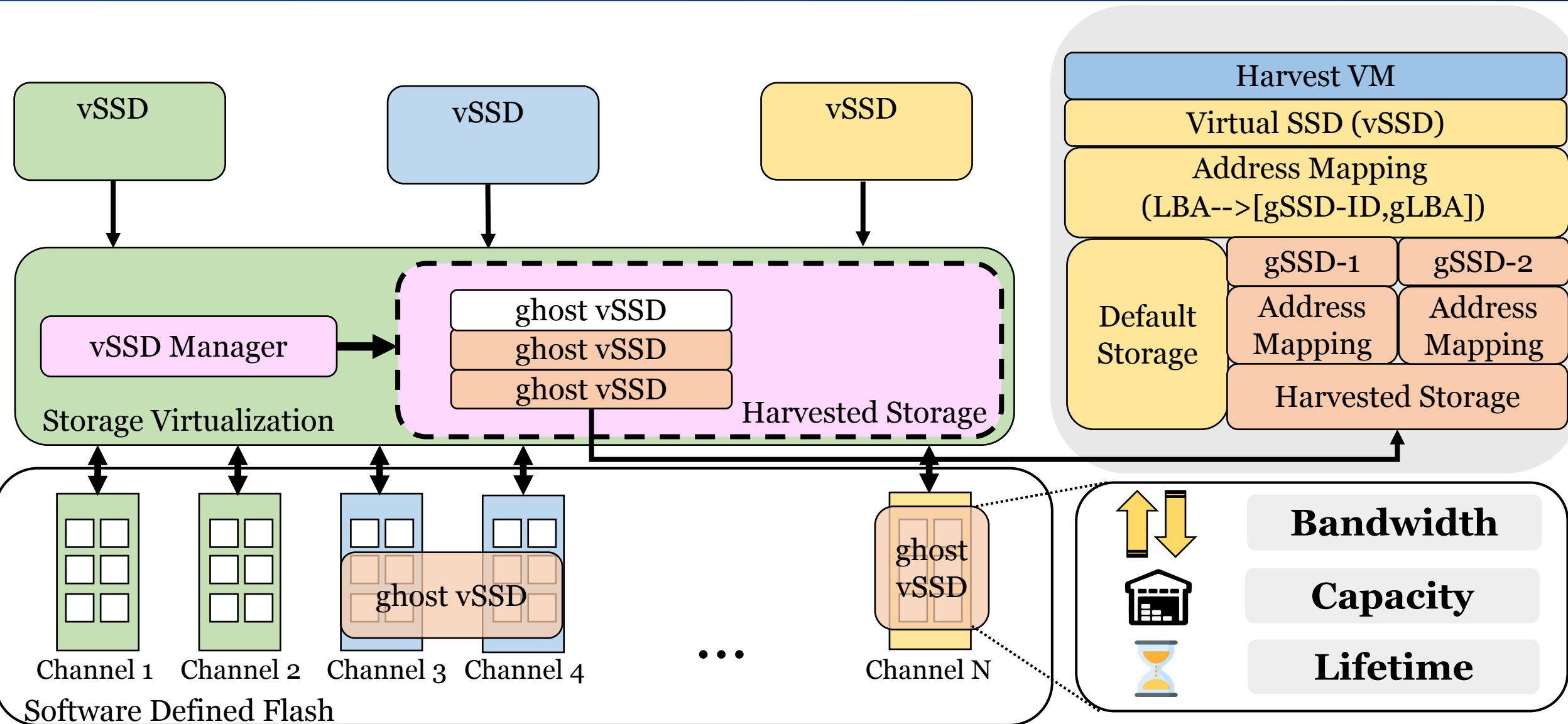
Ghost vSSD: A New vSSD Abstraction for Harvesting



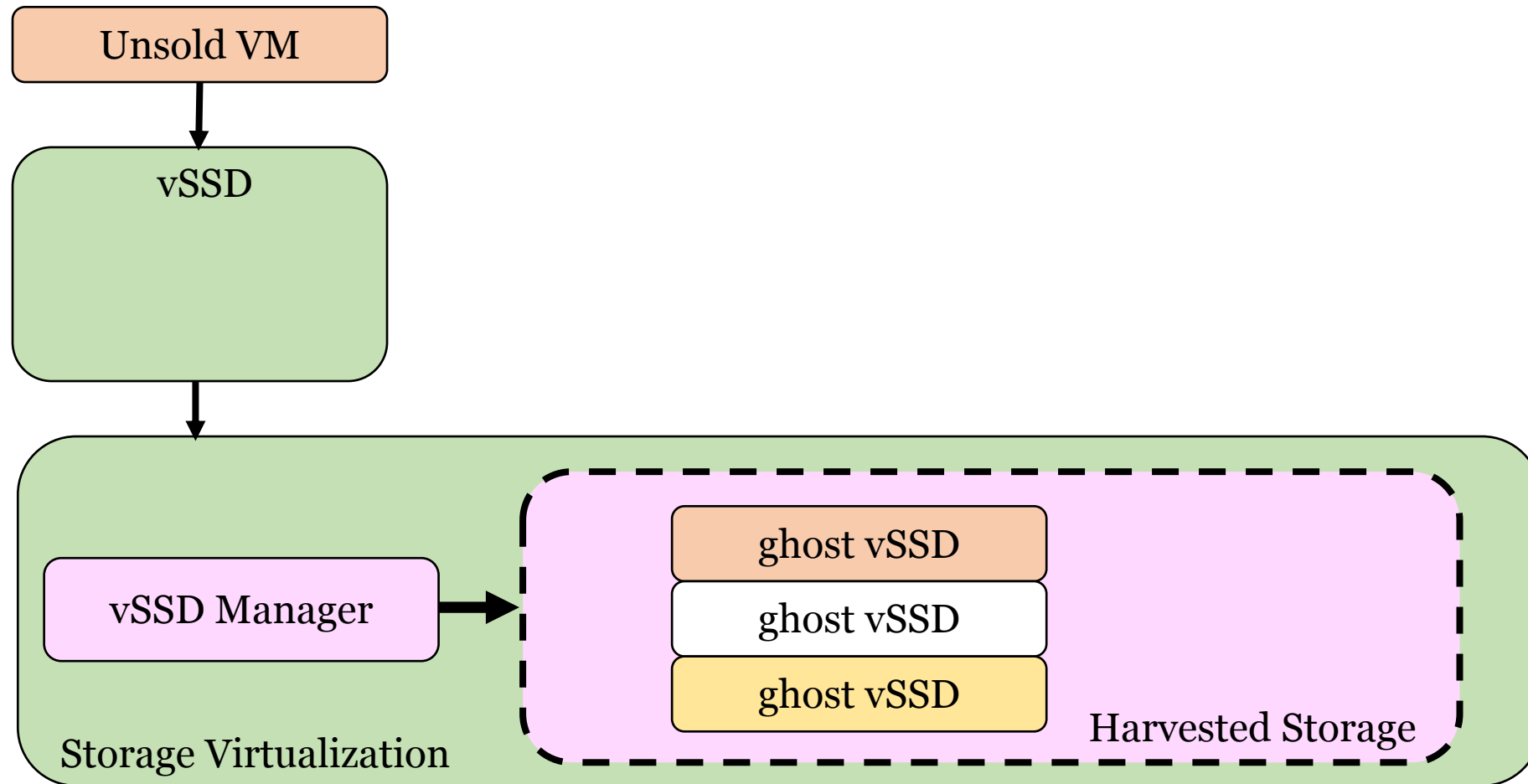
Ghost vSSD: A New vSSD Abstraction for Harvesting



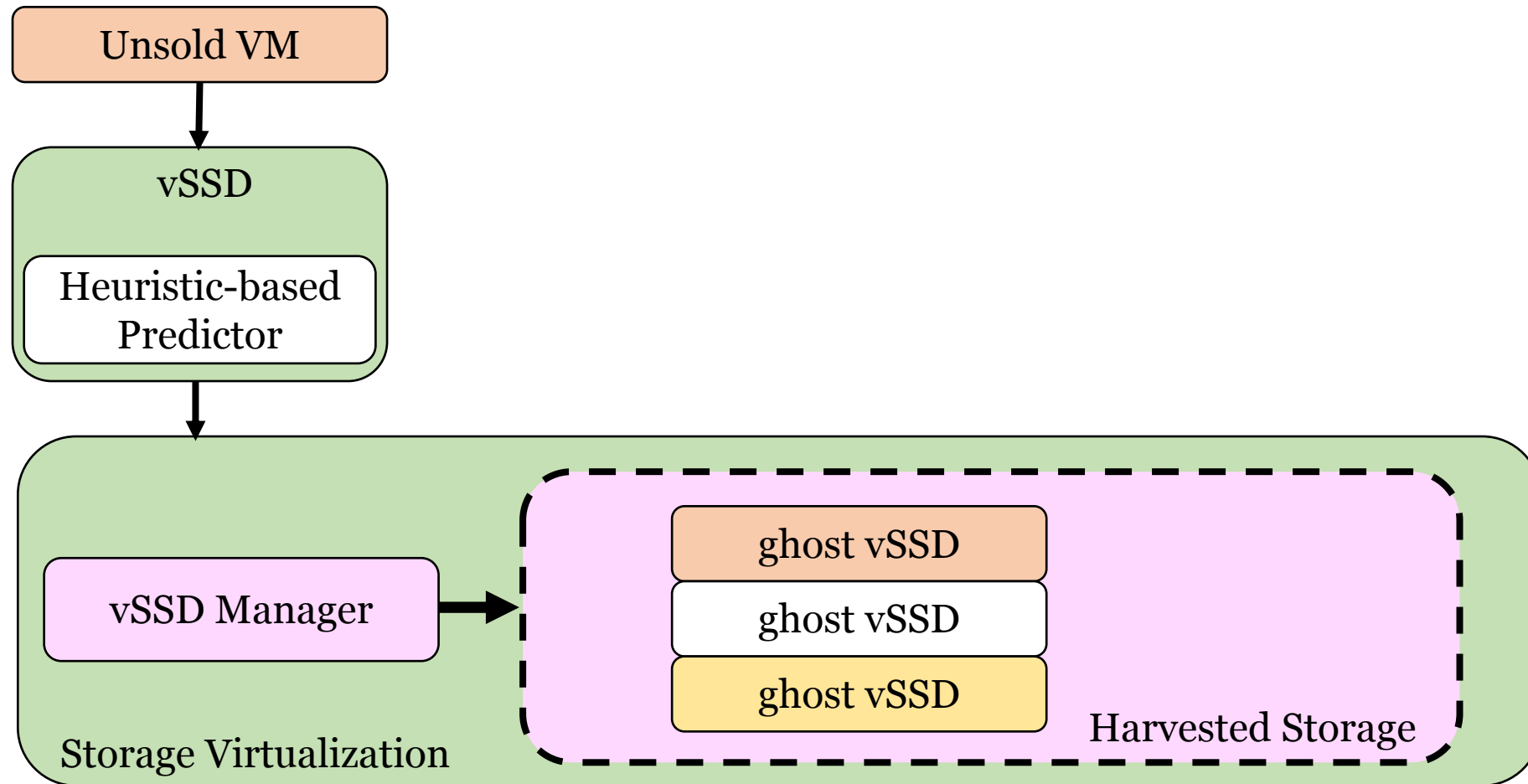
Ghost vSSD: A New vSSD Abstraction for Harvesting



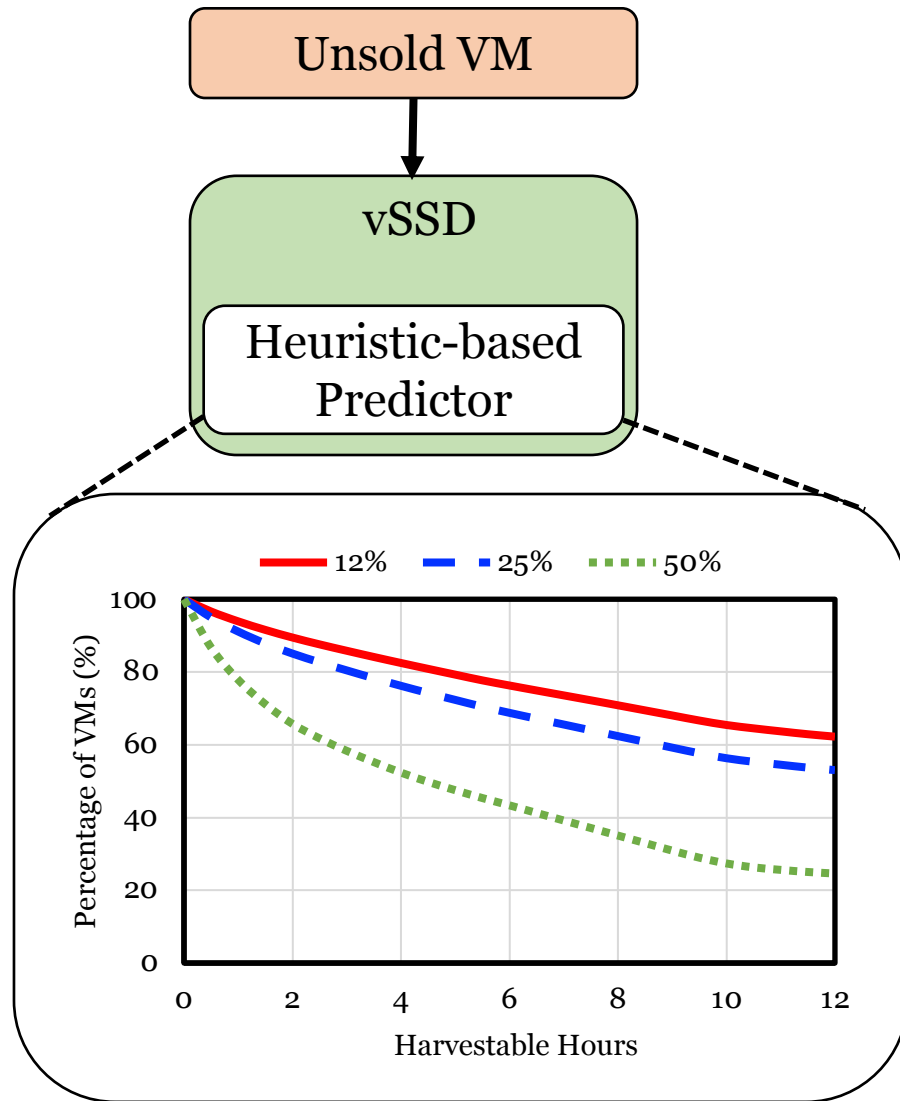
Facilitating Storage Harvesting with a Learning-Based Approach



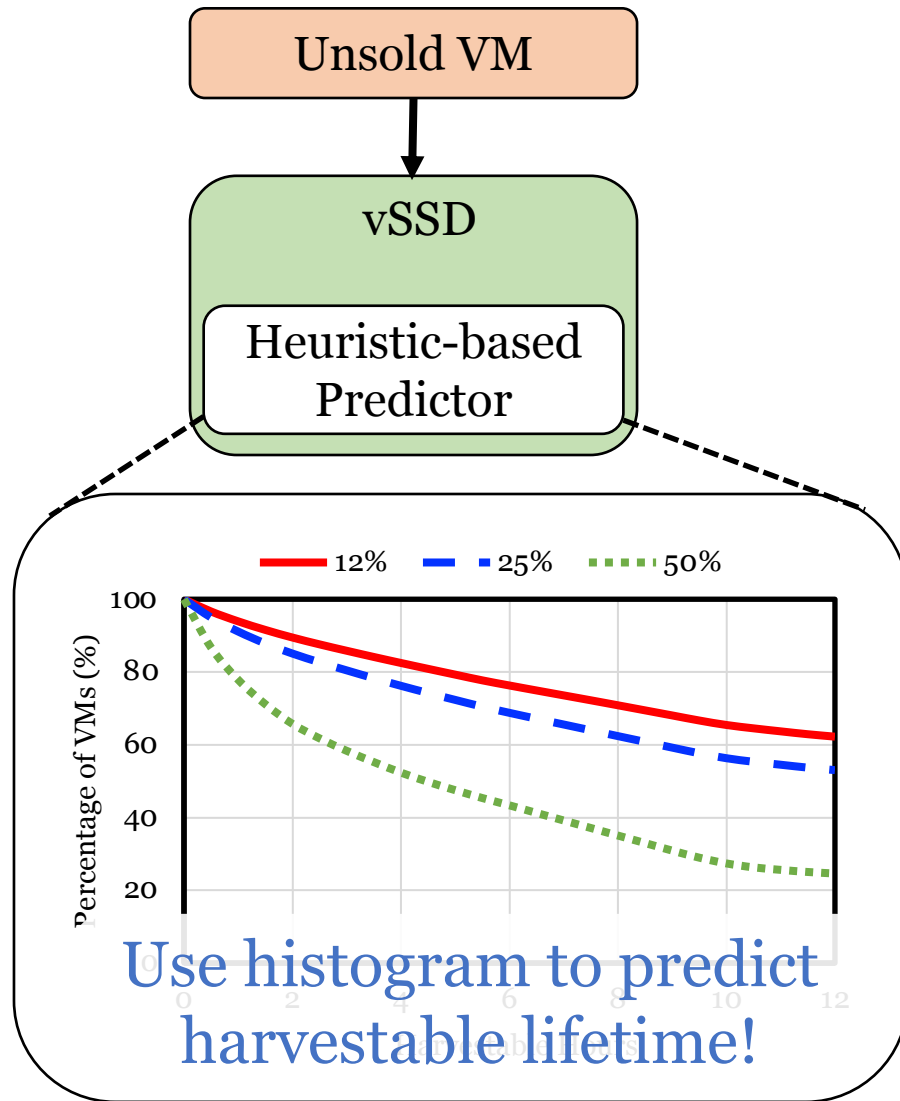
Facilitating Storage Harvesting with a Learning-Based Approach



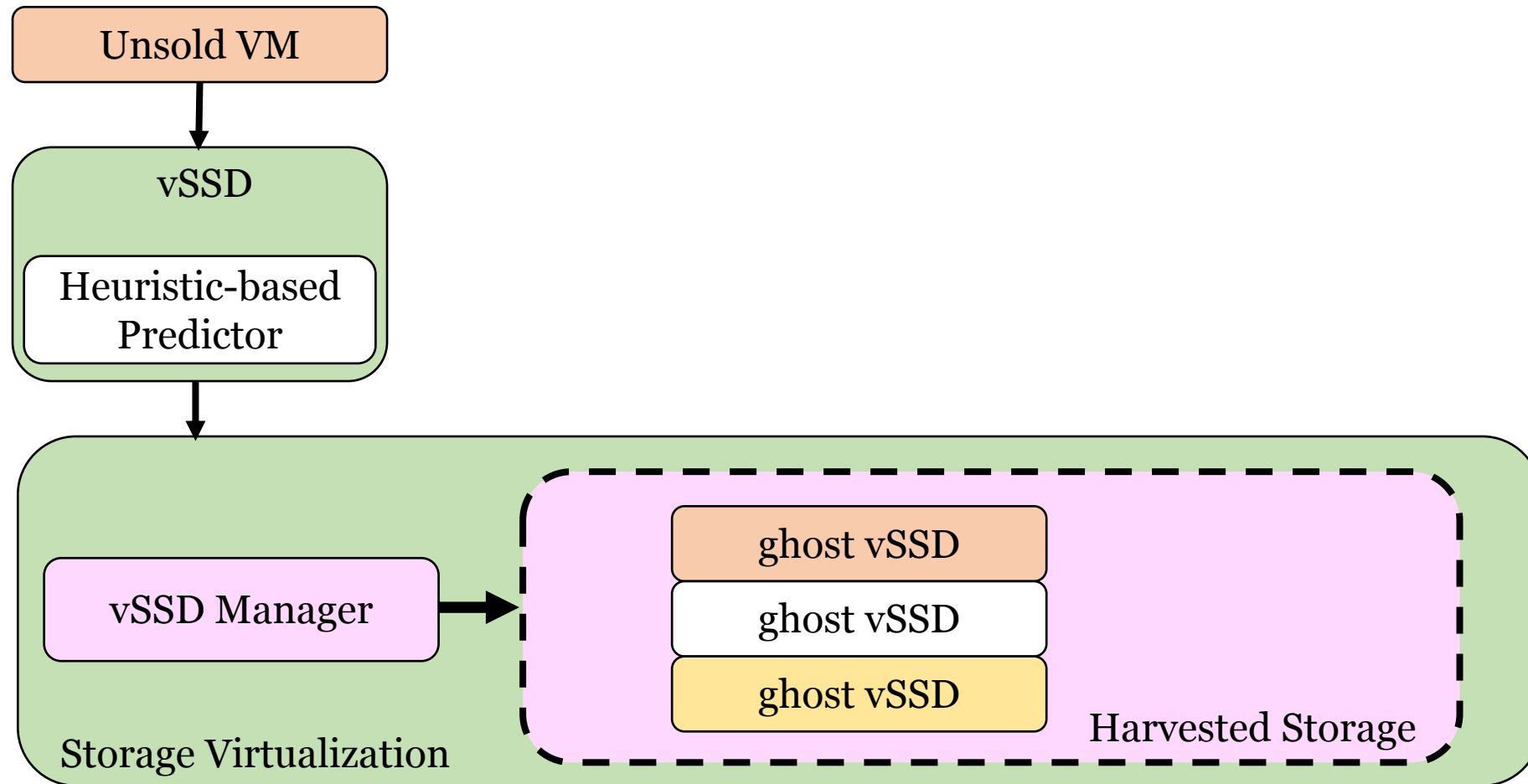
Facilitating Storage Harvesting with a Learning-Based Approach



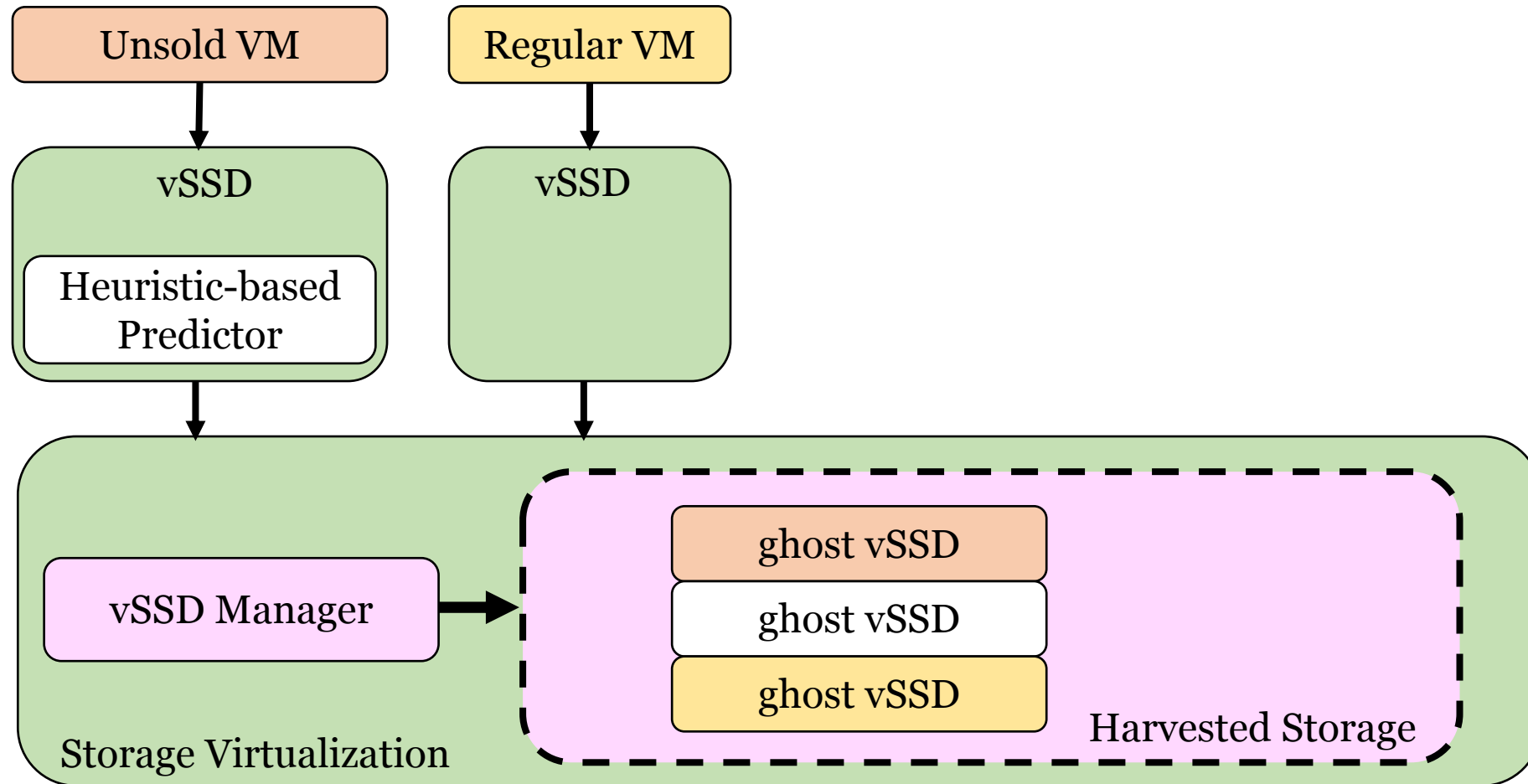
Facilitating Storage Harvesting with a Learning-Based Approach



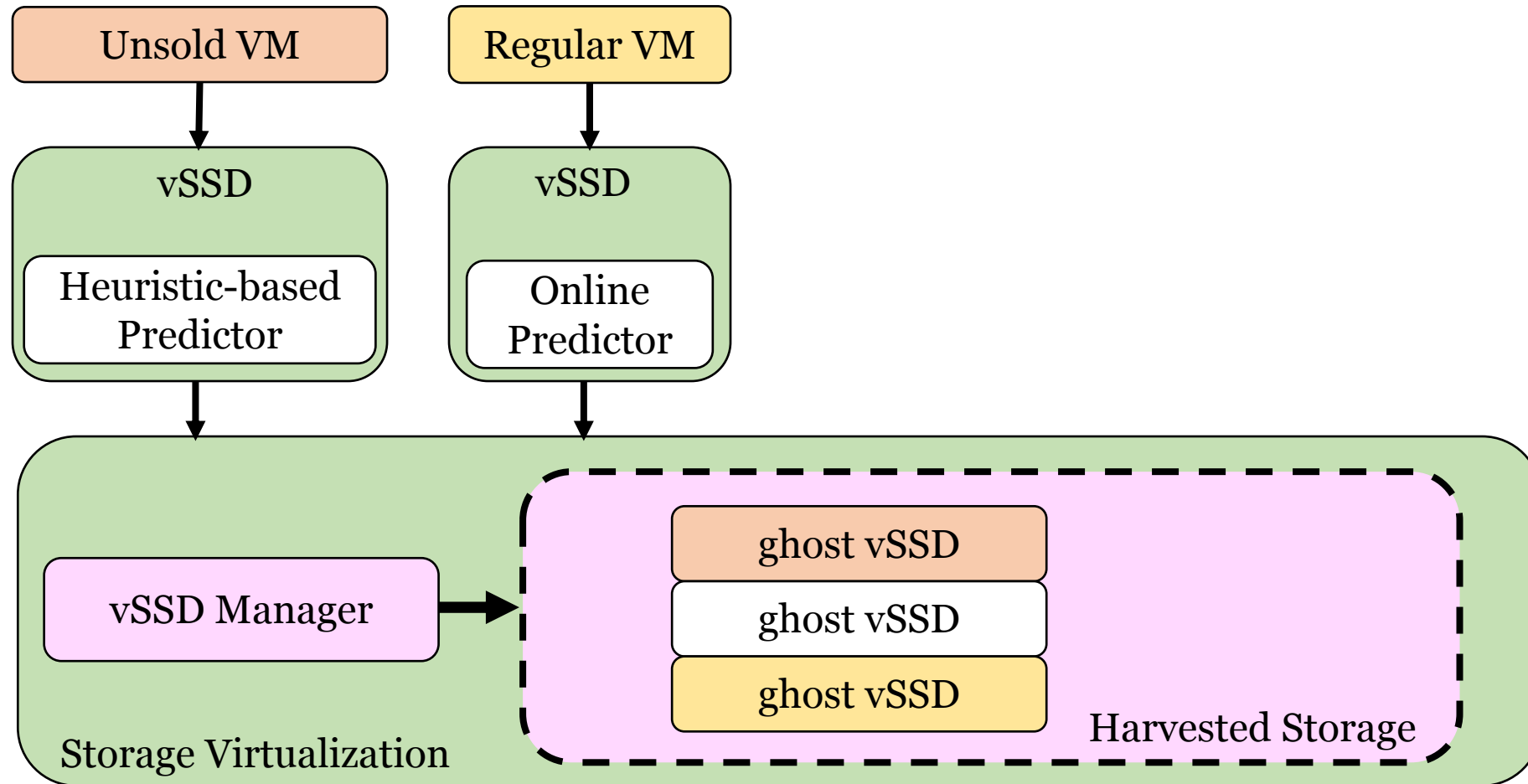
Facilitating Storage Harvesting with a Learning-Based Approach



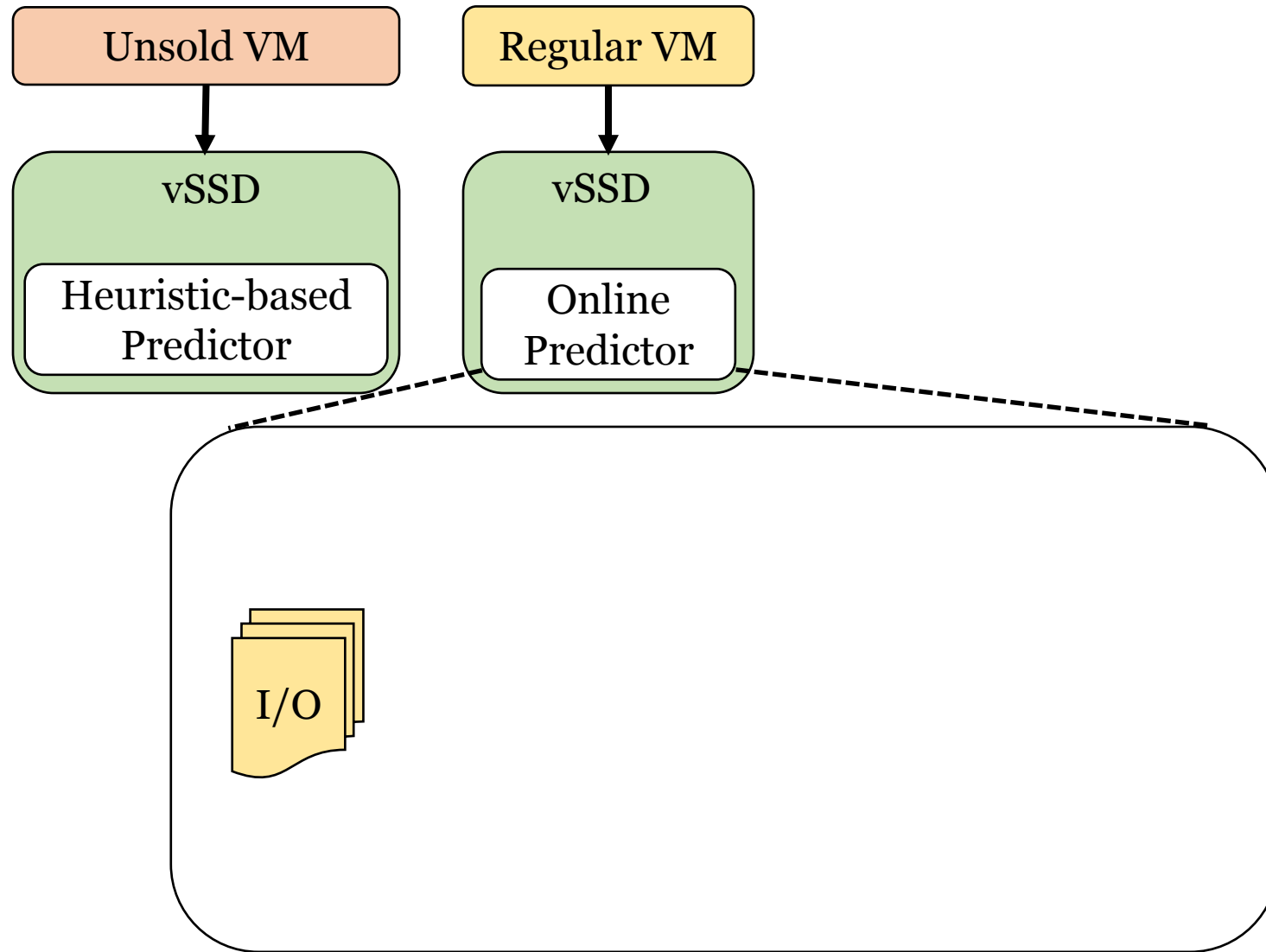
Facilitating Storage Harvesting with a Learning-Based Approach



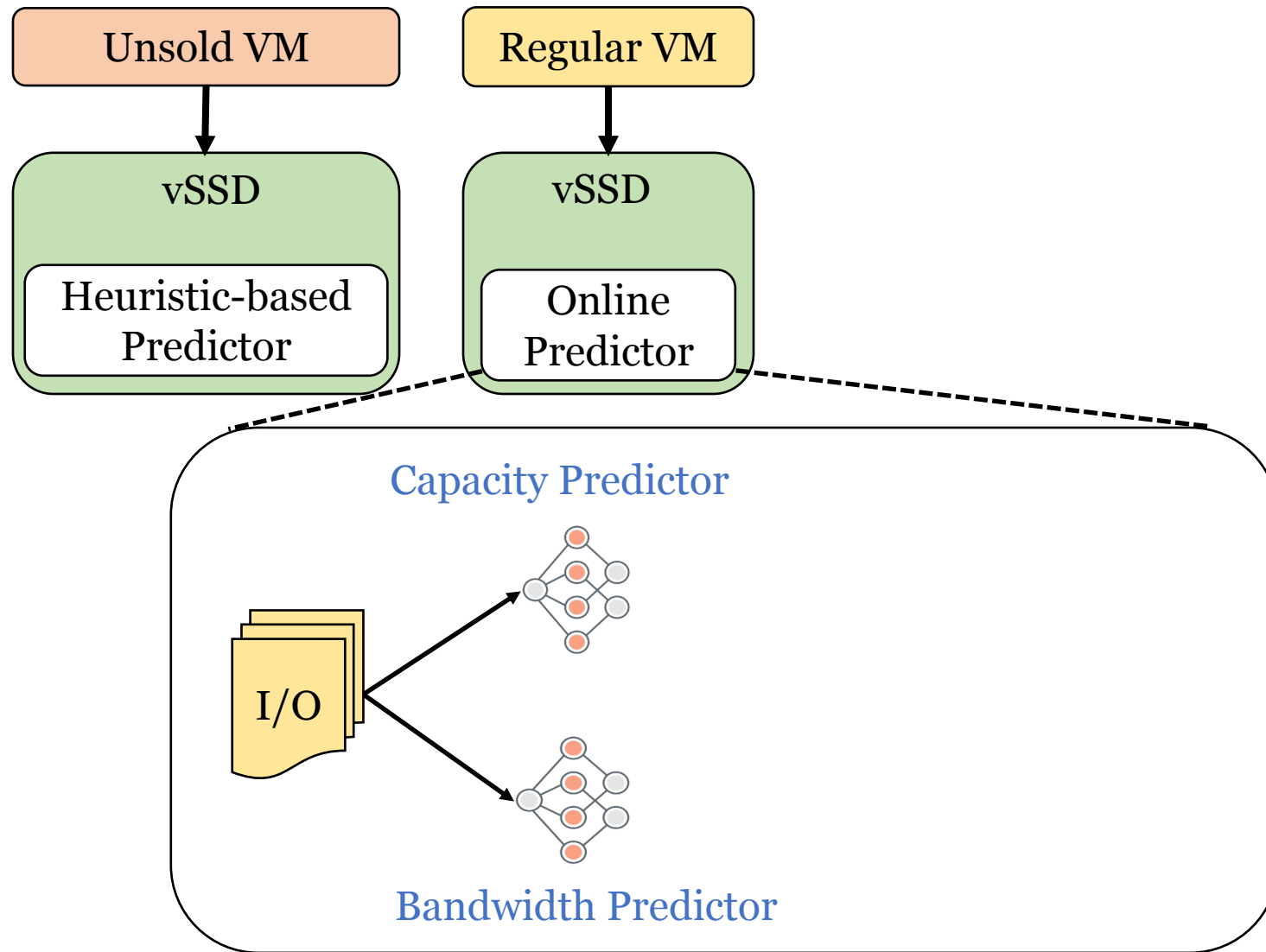
Facilitating Storage Harvesting with a Learning-Based Approach



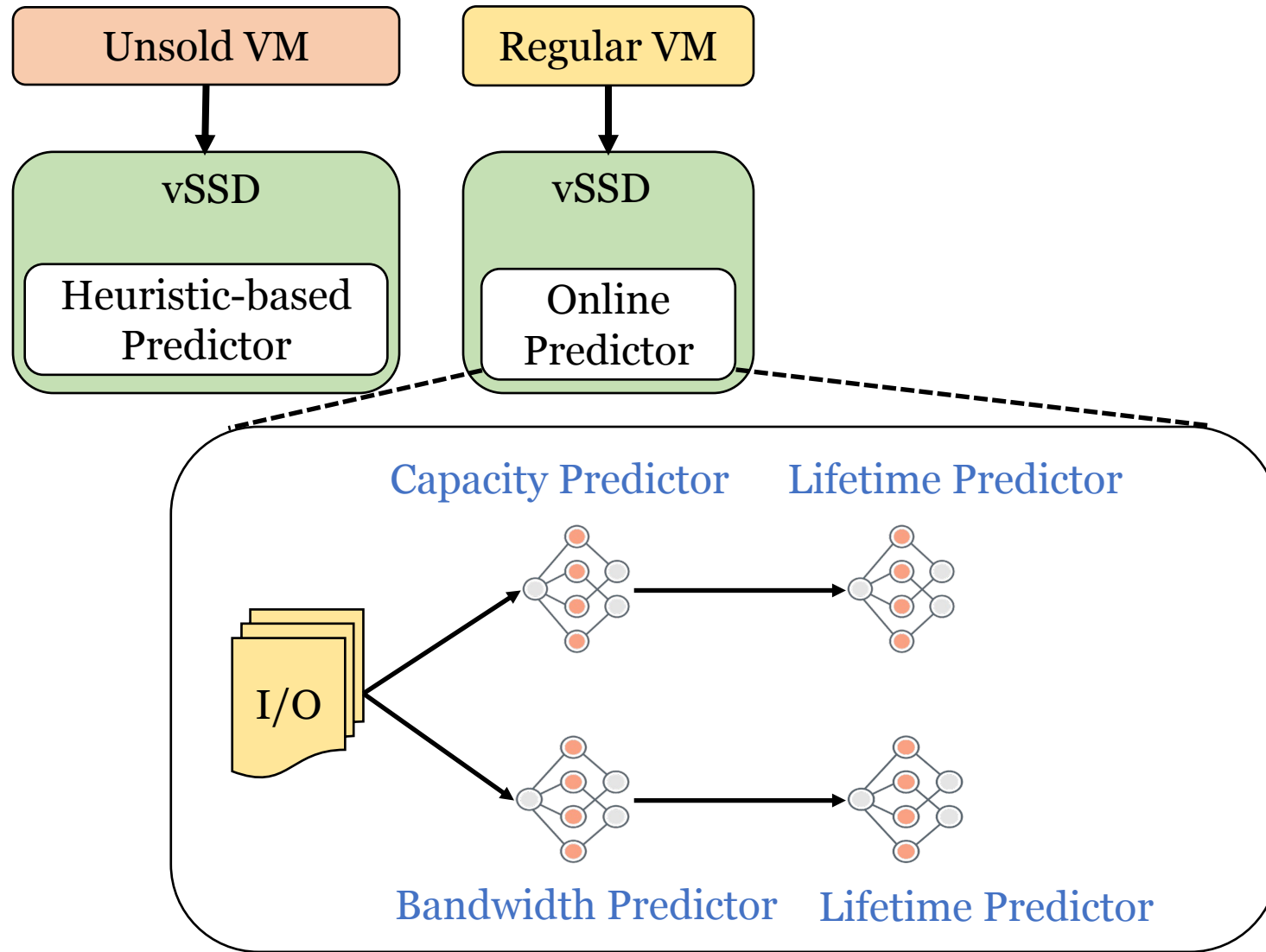
Facilitating Storage Harvesting with a Learning-Based Approach



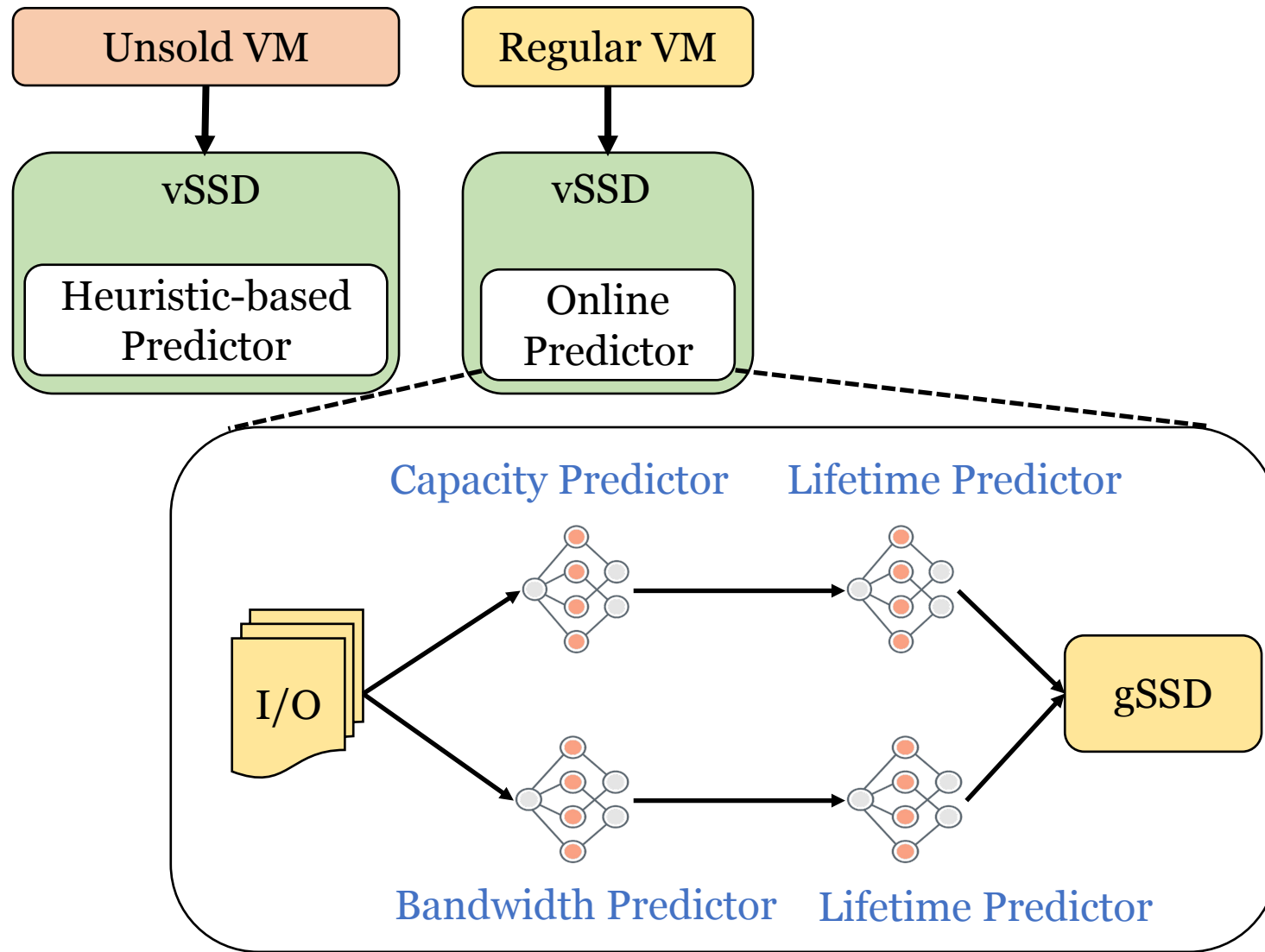
Facilitating Storage Harvesting with a Learning-Based Approach



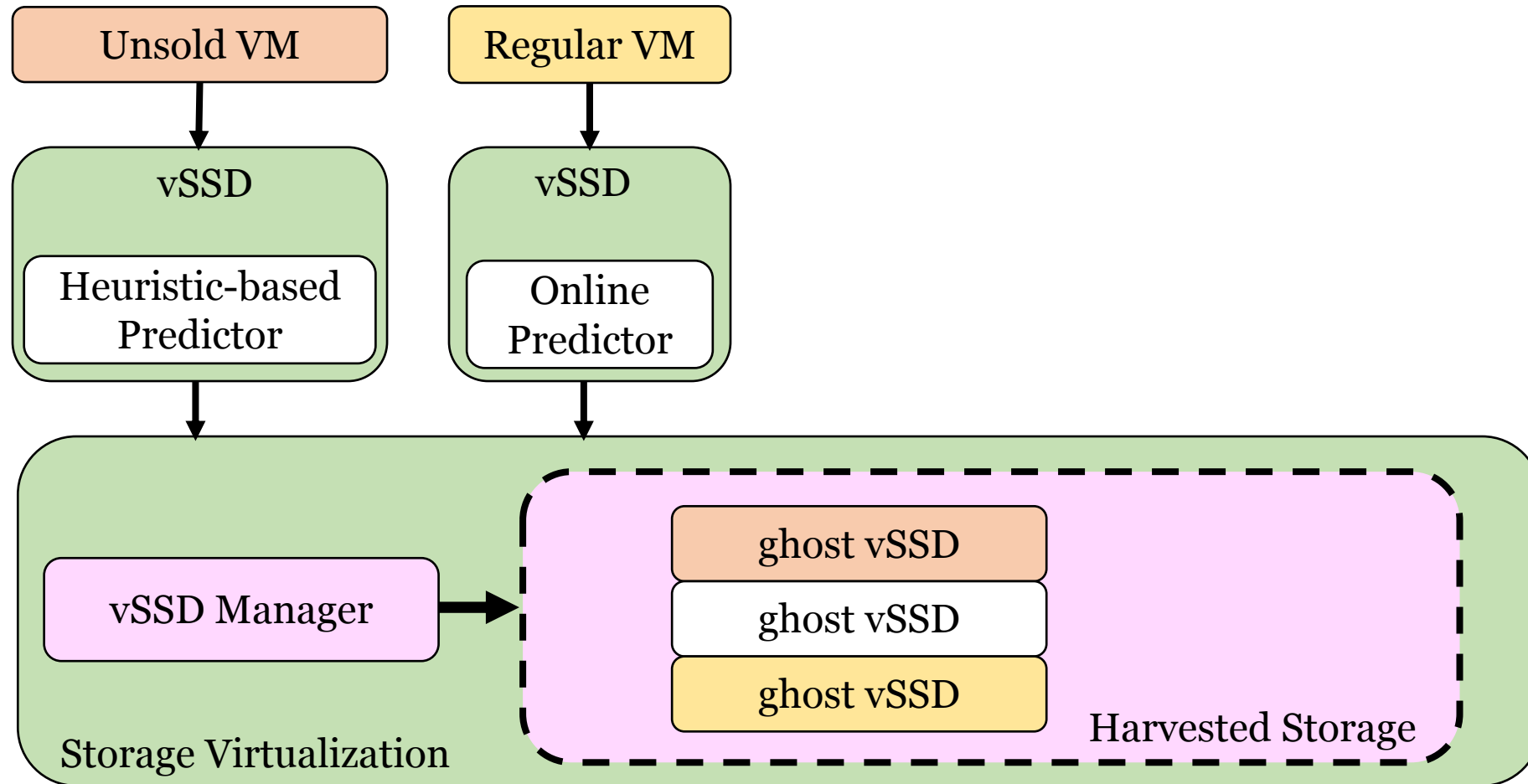
Facilitating Storage Harvesting with a Learning-Based Approach



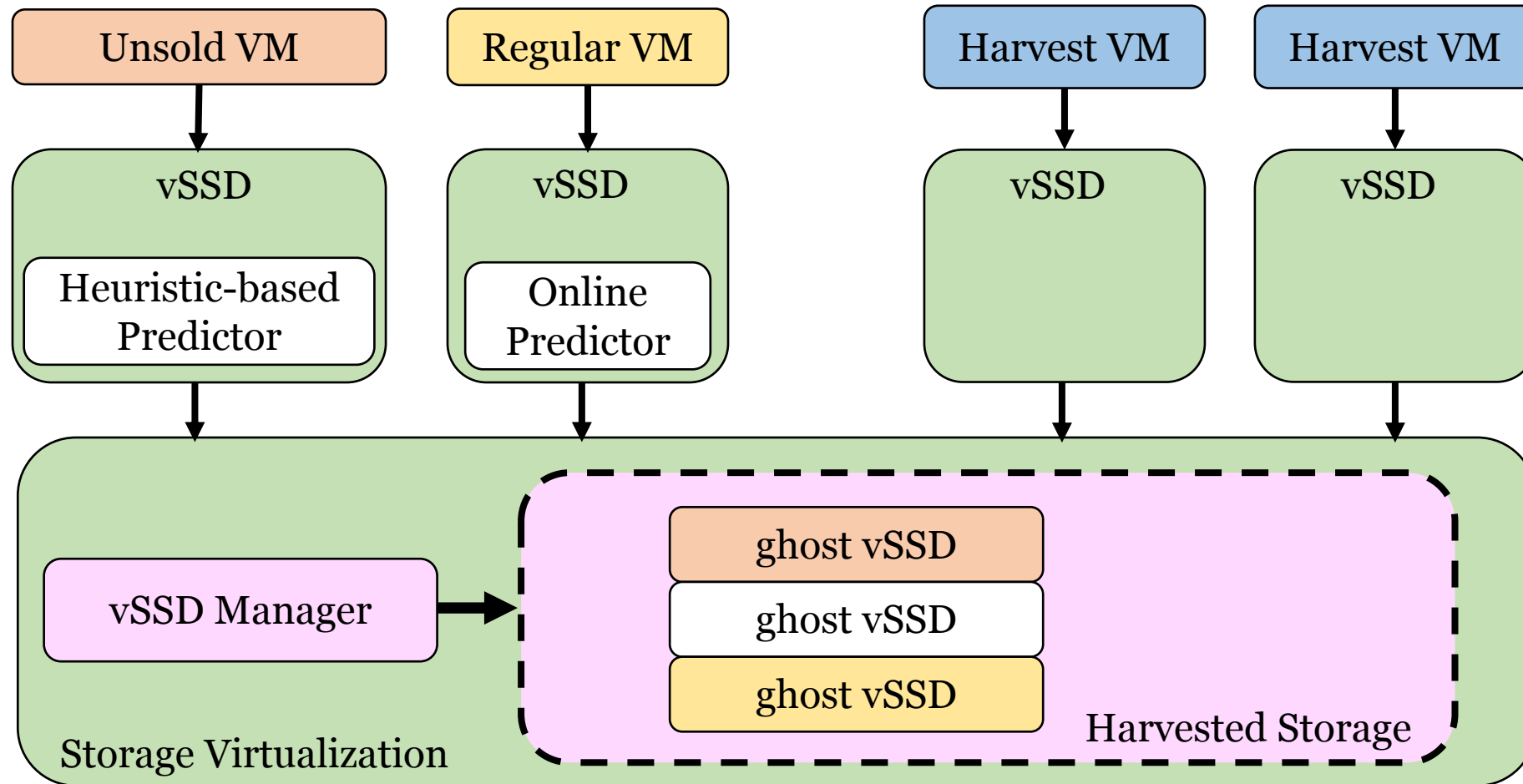
Facilitating Storage Harvesting with a Learning-Based Approach



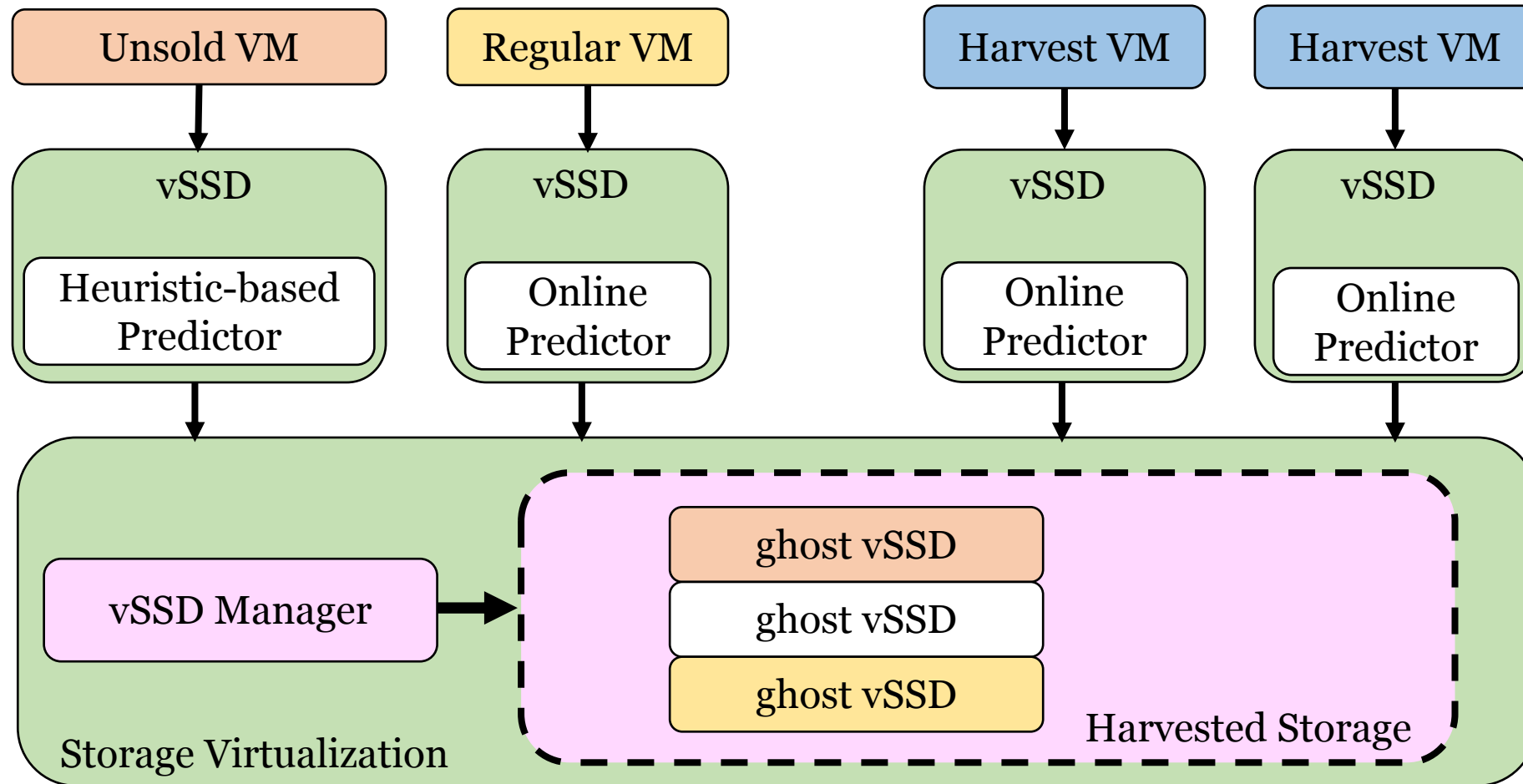
Facilitating Storage Harvesting with a Learning-Based Approach



Facilitating Storage Harvesting with a Learning-Based Approach



Facilitating Storage Harvesting with a Learning-Based Approach



Handling Mispredictions in BlockFlex

Harvestable Storage	Demanded Storage	Wasted Resources	Under Harvesting	Early Reclamation
Over-Prediction	Over-Prediction	X		X
Over-Prediction	Under-Prediction		X	X
Under-Prediction	Over-Prediction	X		
Under-Prediction	Under-Prediction	X	X	

Handling Mispredictions in BlockFlex

Harvestable Storage	Demanded Storage	Wasted Resources	Under Harvesting	Early Reclamation
Over-Prediction	Over-Prediction	X		X
Over-Prediction	Under-Prediction		X	X
Under-Prediction	Over-Prediction	X		
Under-Prediction	Under-Prediction	X	X	

Handling Mispredictions in BlockFlex

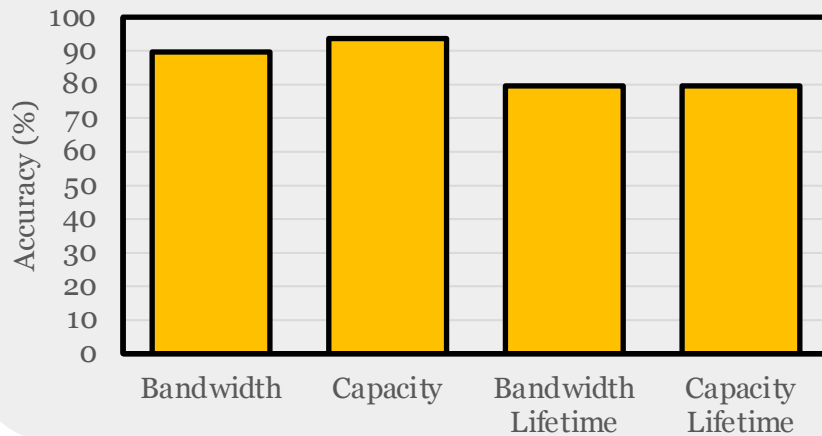
Harvestable Storage	Demanded Storage	Wasted Resources	Under Harvesting	Early Reclamation
Over-Prediction	Over-Prediction	X		X
Over-Prediction	Under-Prediction		X	X
Under-Prediction	Over-Prediction	X		
Under-Prediction	Under-Prediction	X	X	

Handling Mispredictions in BlockFlex

Harvestable Storage	Demanded Storage	Wasted Resources	Under Harvesting	Early Reclamation
Over-Prediction	Over-Prediction	X		X
Over-Prediction	Under-Prediction		X	X
Under-Prediction	Over-Prediction	X		
Under-Prediction	Under-Prediction	X	X	

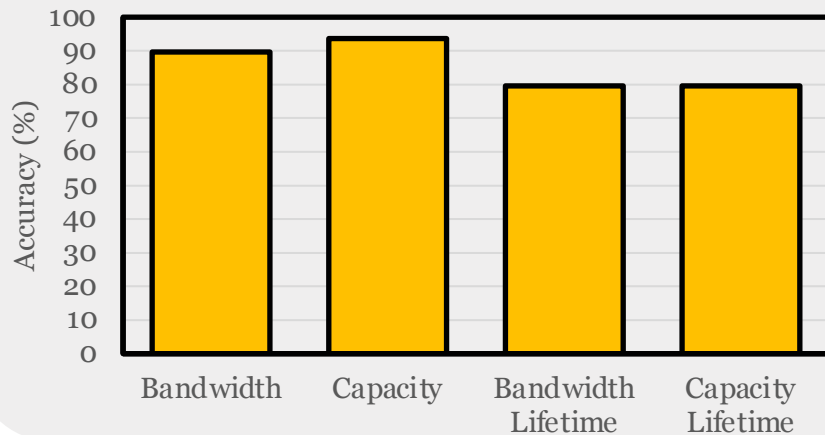
Handling Mispredictions in BlockFlex

Harvestable Storage	Demanded Storage	Wasted Resources	Under Harvesting	Early Reclamation
Over-Prediction	Over-Prediction	X		X
Over-Prediction	Under-Prediction		X	X
Under-Prediction	Over-Prediction	X		
Under-Prediction	Under-Prediction	X	X	

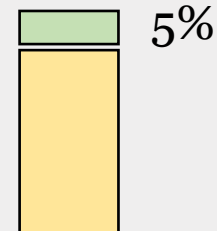


Handling Mispredictions in BlockFlex

Harvestable Storage	Demanded Storage	Wasted Resources	Under Harvesting	Early Reclamation
Over-Prediction	Over-Prediction	X		X
Over-Prediction	Under-Prediction		X	X
Under-Prediction	Over-Prediction	X		
Under-Prediction	Under-Prediction	X	X	



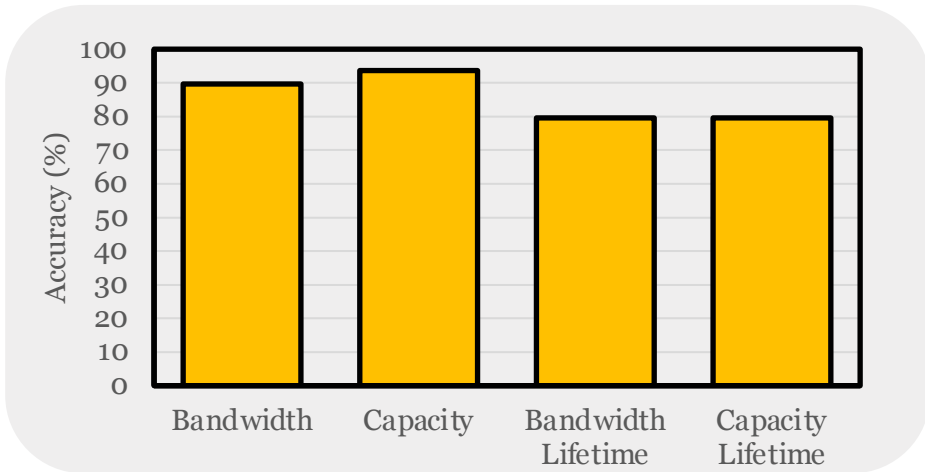
+



Add over-provisioning to avoid reclamations

Handling Mispredictions in BlockFlex

Harvestable Storage	Demanded Storage	Wasted Resources	Under Harvesting	Early Reclamation
Over-Prediction	Over-Prediction	X		X
Over-Prediction	Under-Prediction		X	X
Under-Prediction	Over-Prediction	X		
Under-Prediction	Under-Prediction	X	X	



+

Add over-provisioning to avoid reclamations

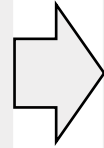
=

93-96% Accuracy!

BlockFlex: Enabling Storage Harvesting in Modern Cloud



Insufficient Virtualization Support



Extend Storage Virtualization
with **Ghost vSSD Abstraction**



Data Security Concern



Enable Fine-Grained **Hardware Isolation** and **Block Erasing**



Storage Performance Interference



Minimize the Impact of Harvesting on Regular VMs

BlockFlex: Enabling Storage Harvesting in Modern Cloud



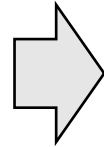
Insufficient Virtualization Support



Extend Storage Virtualization with **Ghost vSSD Abstraction**



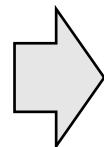
Data Security Concern



Enable Fine-Grained **Hardware Isolation** and **Block Erasing**

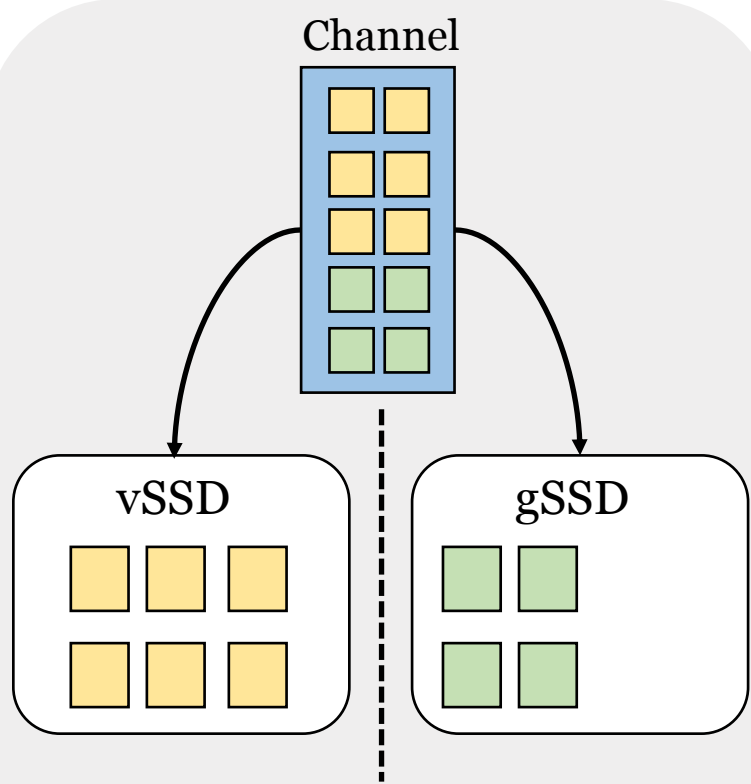


Storage Performance Interference



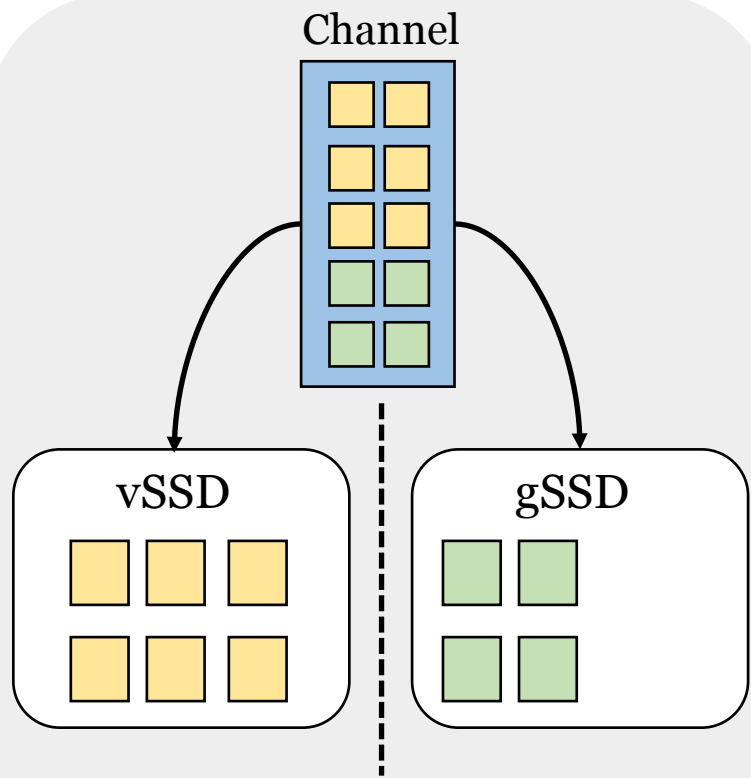
Minimize the **Impact of Harvesting** on Regular VMs

Enforcing Data Security in BlockFlex

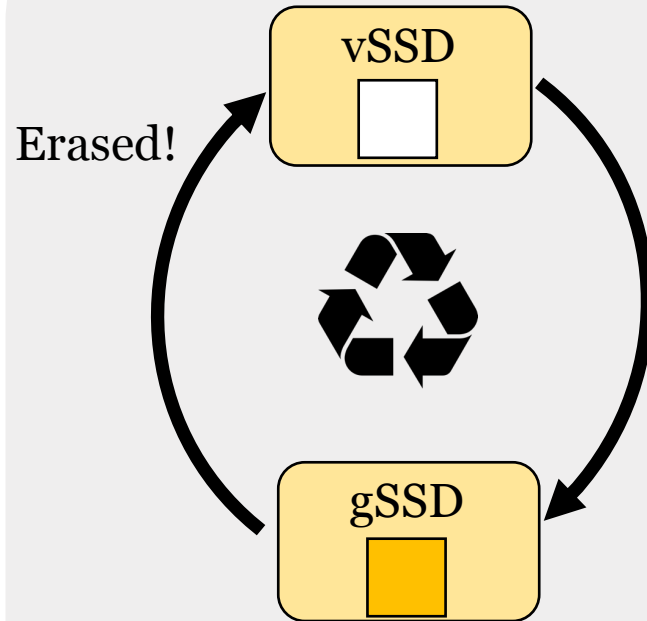


Each gSSD is **hardware isolated** from its vSSD

Enforcing Data Security in BlockFlex

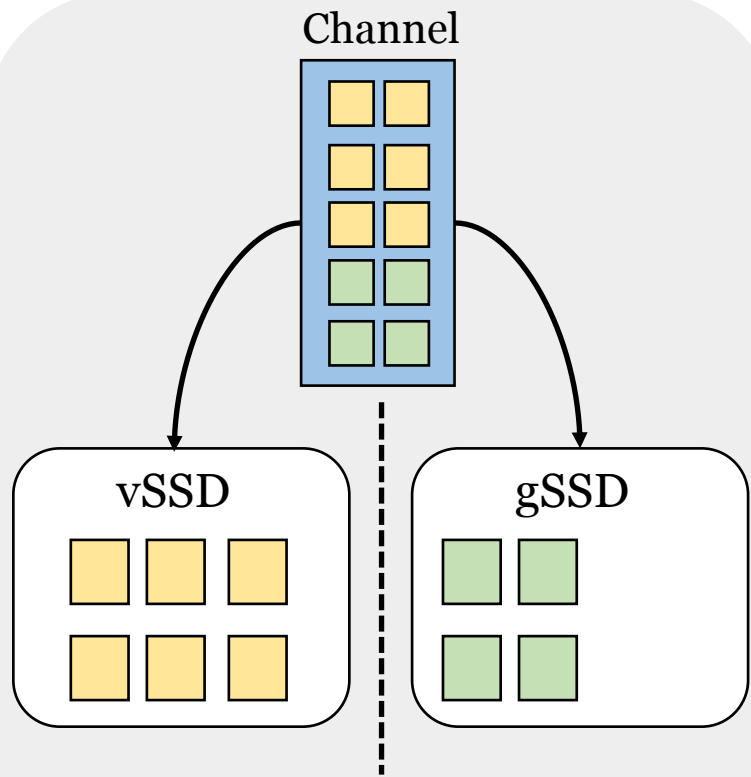


Each gSSD is **hardware isolated** from its vSSD

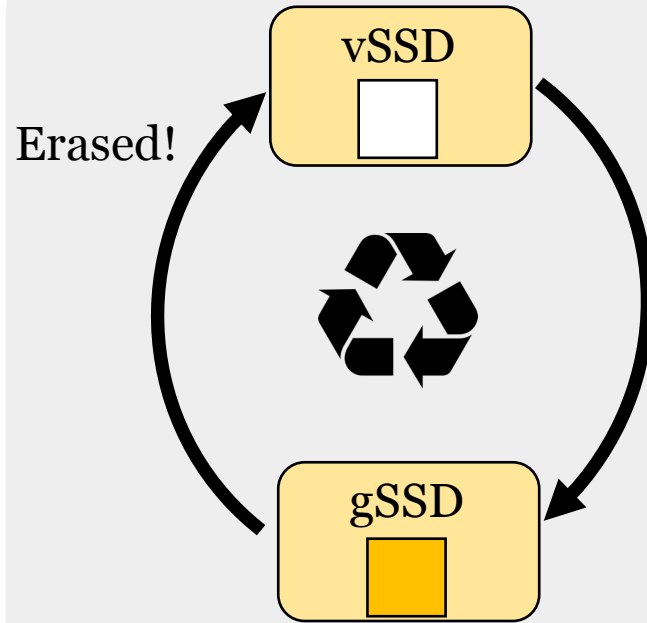


All blocks are **erased** after harvesting

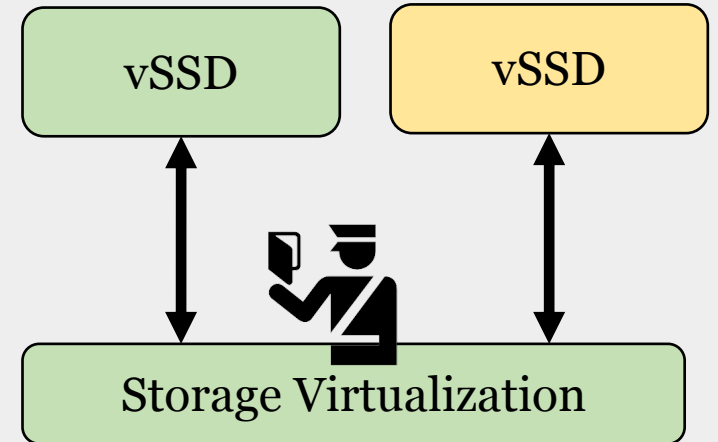
Enforcing Data Security in BlockFlex



Each gSSD is **hardware isolated** from its vSSD

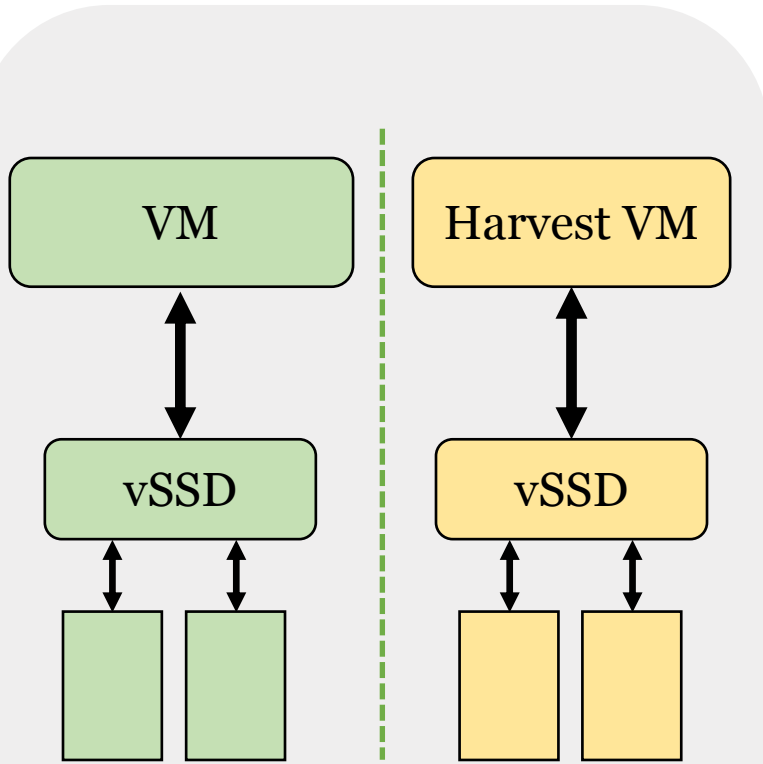


All blocks are **erased** after harvesting



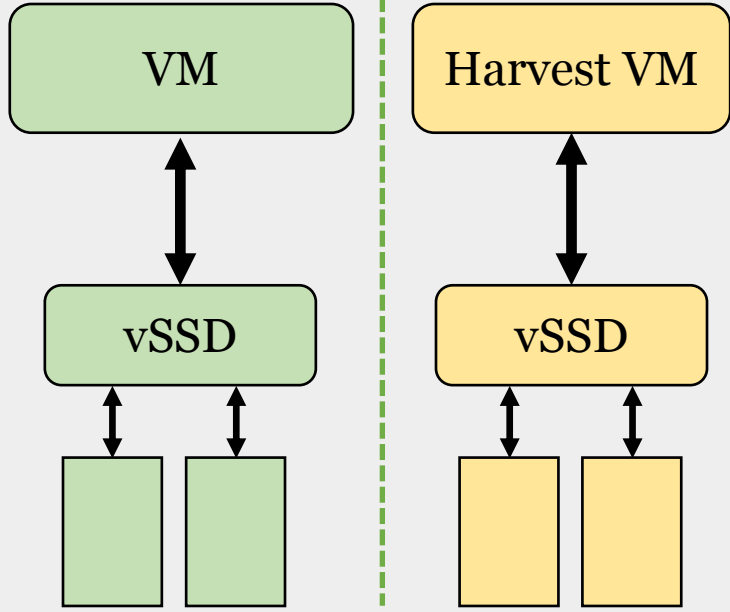
Permission checks within storage virtualization

Guaranteed Performance Isolation in BlockFlex

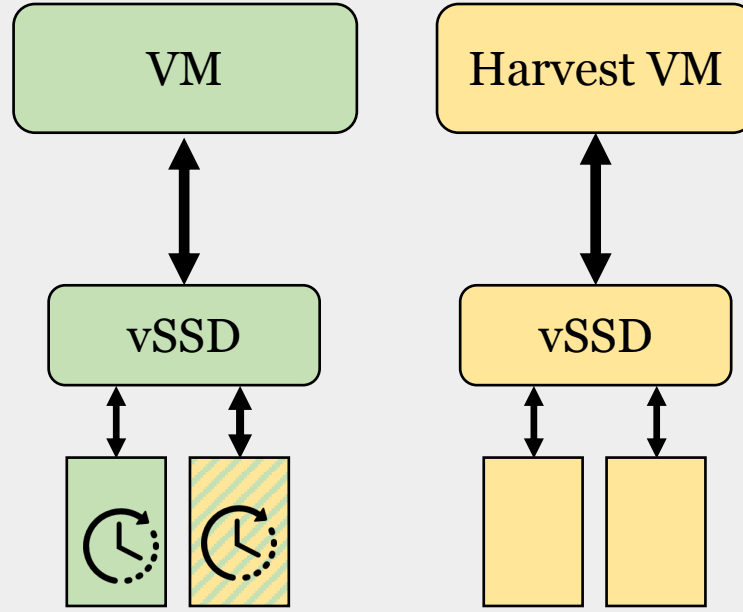


vSSDs are mapped to
independent channels

Guaranteed Performance Isolation in BlockFlex

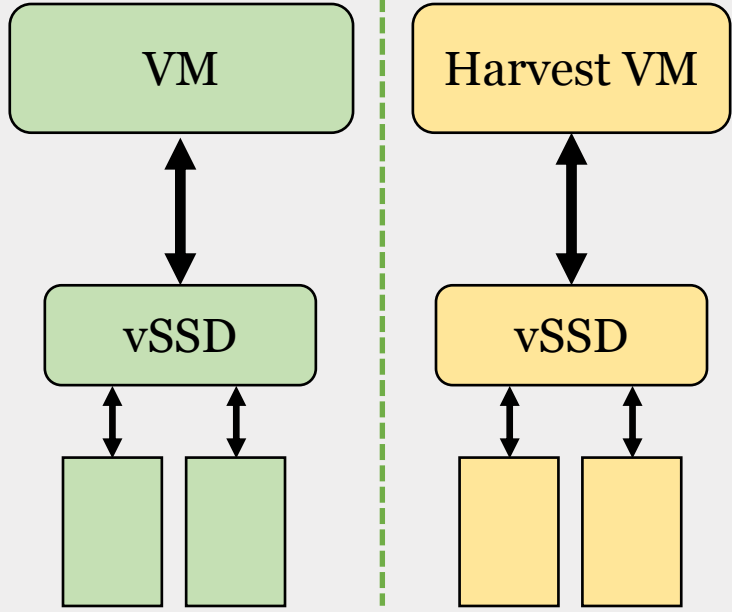


vSSDs are mapped to **independent** channels

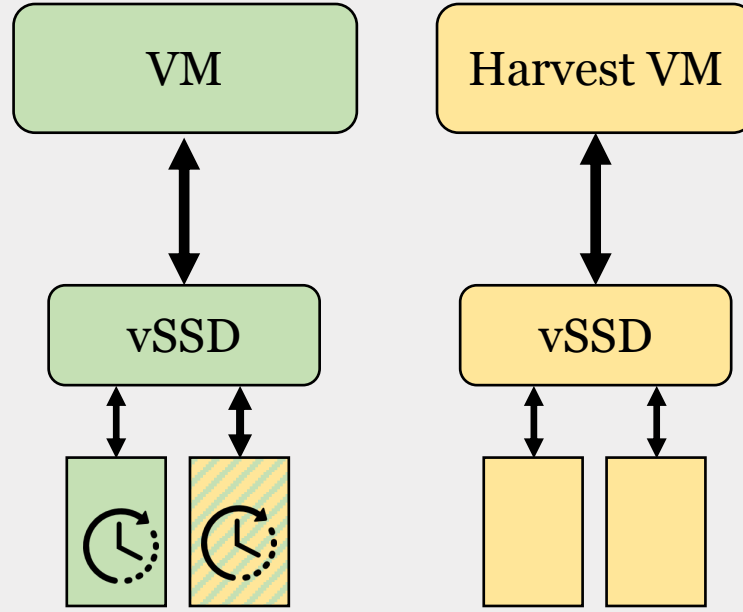


Only harvest **idle** resources

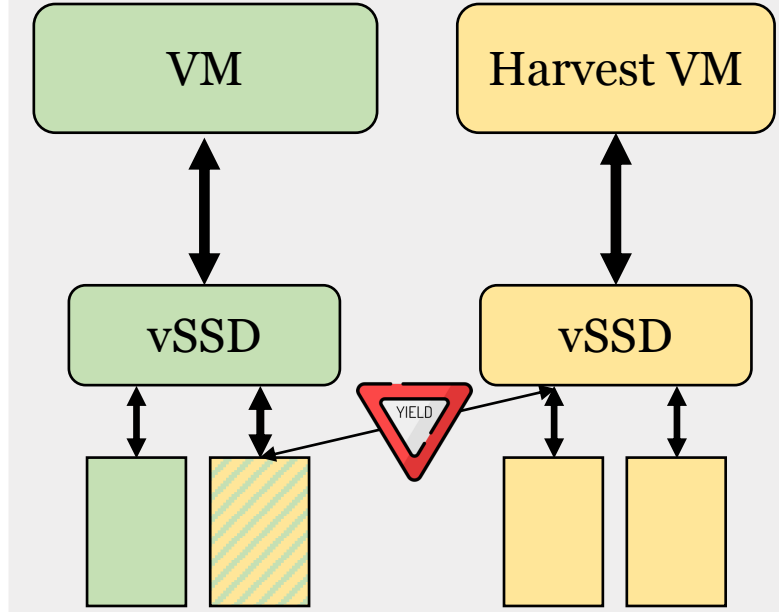
Guaranteed Performance Isolation in BlockFlex



vSSDs are mapped to **independent** channels



Only harvest **idle** resources



Prioritized I/O for regular VMs

BlockFlex Implementation

Programmable SSD

1 TB

16 Channels

16 KB/page

70 MB/s per channel

BlockFlex Implementation

Programmable SSD

1 TB
16 Channels
16 KB/page
70 MB/s per channel

Regular VM Workloads

YCSB (Workloads A-E)

BlockFlex Implementation

Programmable SSD

1 TB
16 Channels
16 KB/page
70 MB/s per channel

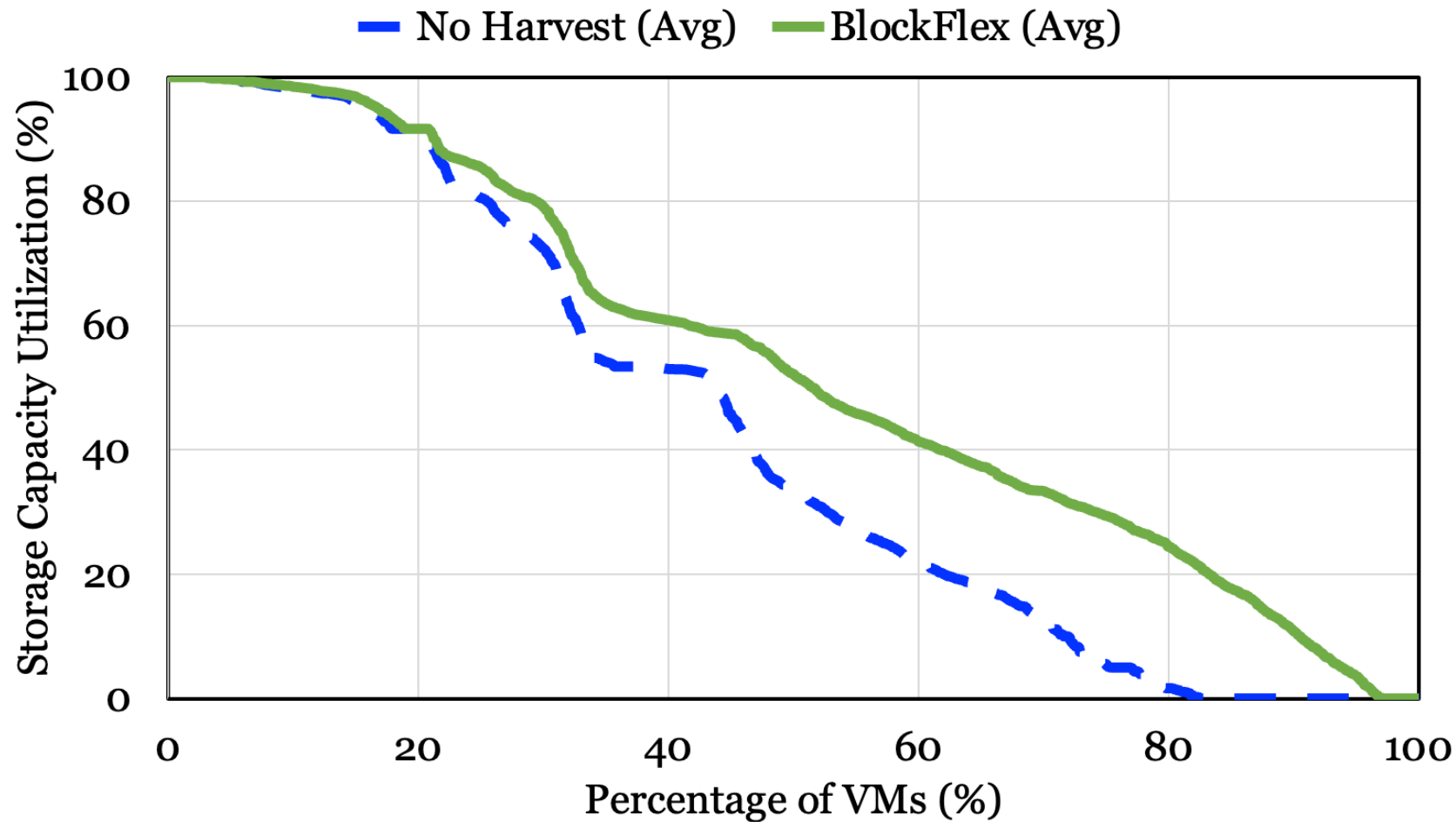
Regular VM Workloads

YCSB (Workloads A-E)

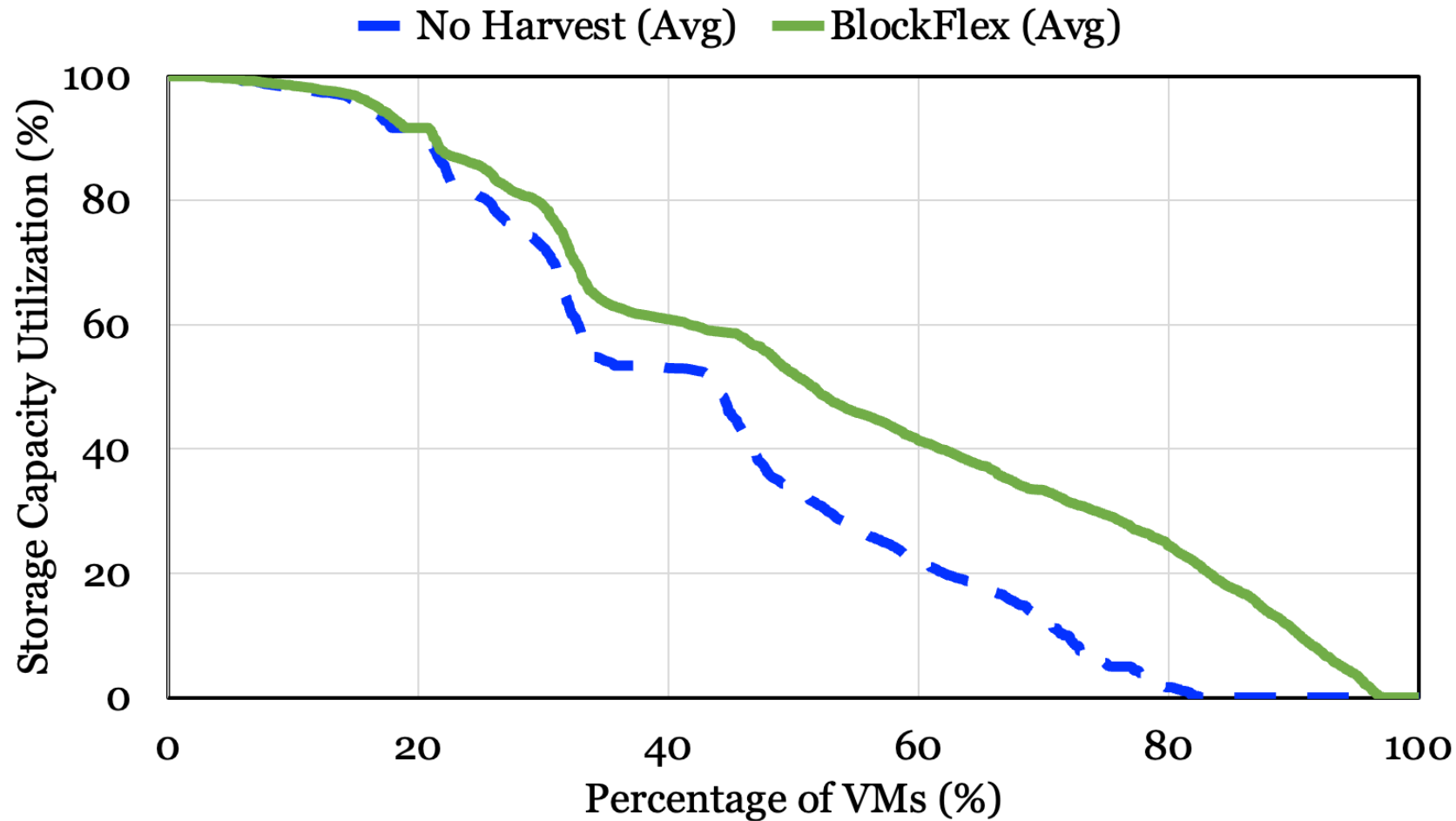
Harvest Workloads

Hadoop TeraSort
Graphchi PageRank
ML Image Preprocessing

Improved Cloud Storage Utilization with BlockFlex

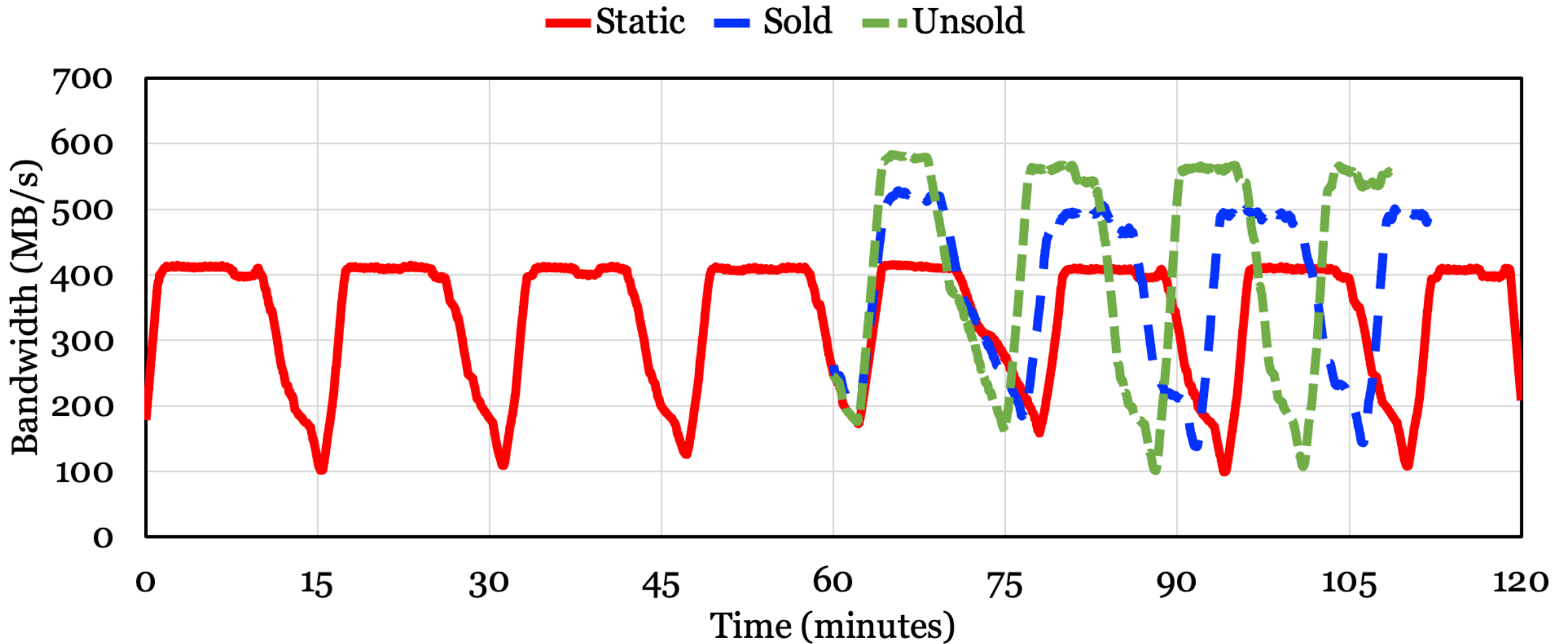


Improved Cloud Storage Utilization with BlockFlex

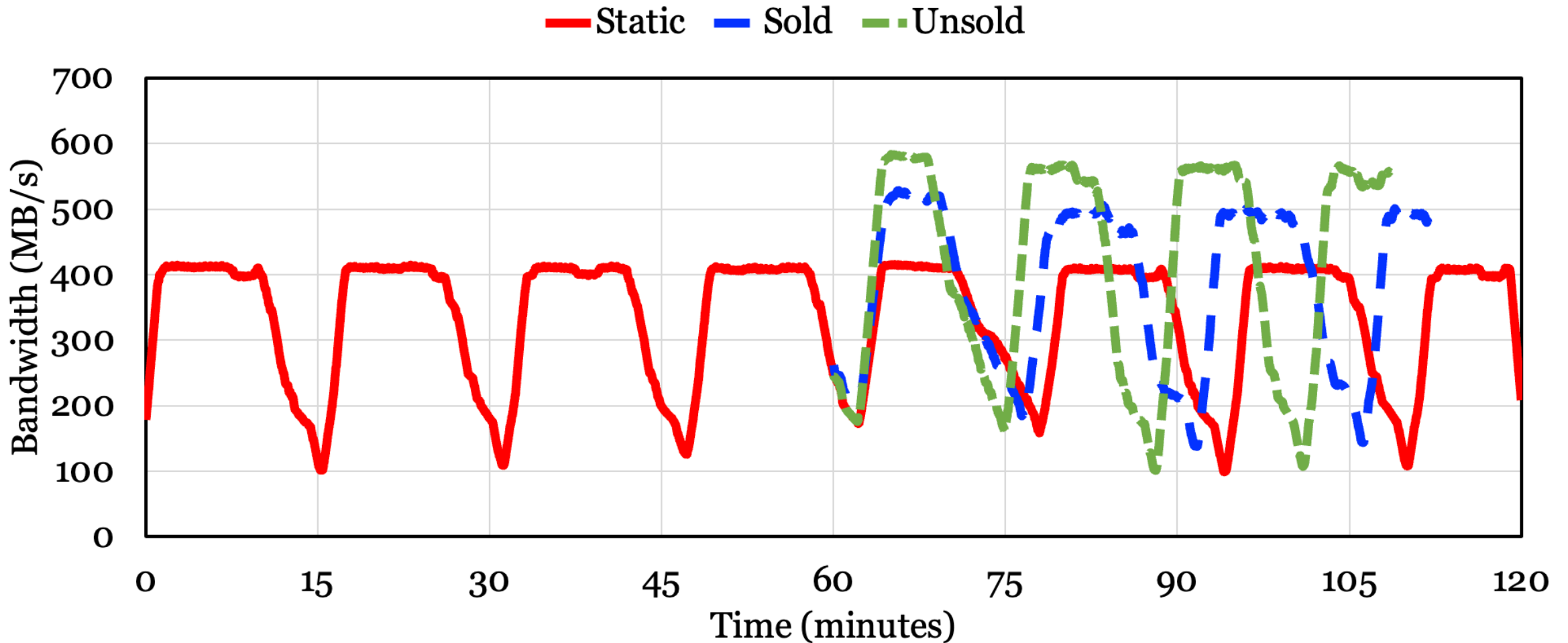


BlockFlex improves the storage utilization by 1.3x on average!

Improved Performance for Harvest VM with BlockFlex



Improved Performance for Harvest VM with BlockFlex



BlockFlex Improves Harvest VM Performance by up to 60%

BlockFlex Summary



Rethink Storage Virtualization for Storage Harvesting

BlockFlex Summary



**Rethink Storage Virtualization
for Storage Harvesting**



Ensure Data Security

BlockFlex Summary



Rethink Storage Virtualization
for **Storage Harvesting**



Ensure Data Security



Minimize the Impact of
Harvesting on Regular VMs

BlockFlex Summary



Rethink Storage Virtualization
for Storage Harvesting



Ensure Data Security



Minimize the Impact of
Harvesting on Regular VMs



<https://github.com/platformlab/blockflex>

Thank You!

Benjamin Reidys **Jinghan Sun**

Anirudh Badam **Shadi Noghabi** **Jian Huang**

breidys2@illinois.edu

Systems Platform Research Group



UNIVERSITY OF
ILLINOIS
URBANA-CHAMPAIGN